



Model: WS NC FOR ATELIER LUXUS FACET 84X84

Family: WALL-SMART

DWG NO. 081-4-885-SPC

Model No.: 081-4-885

PRODUCT SPEC.

REVISION A

DATE 21/MAR/2021



### Make Your Wall Smart

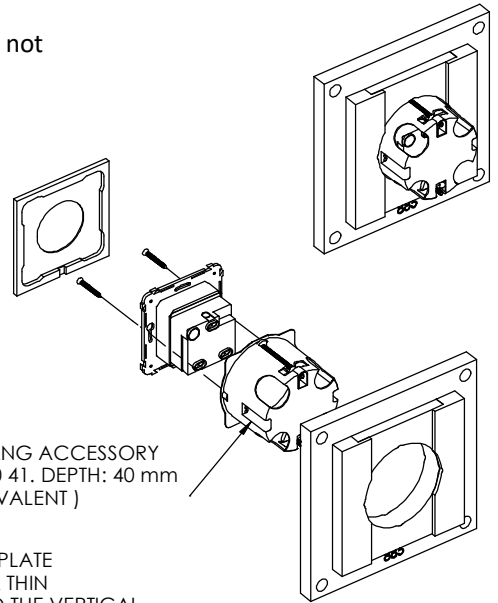
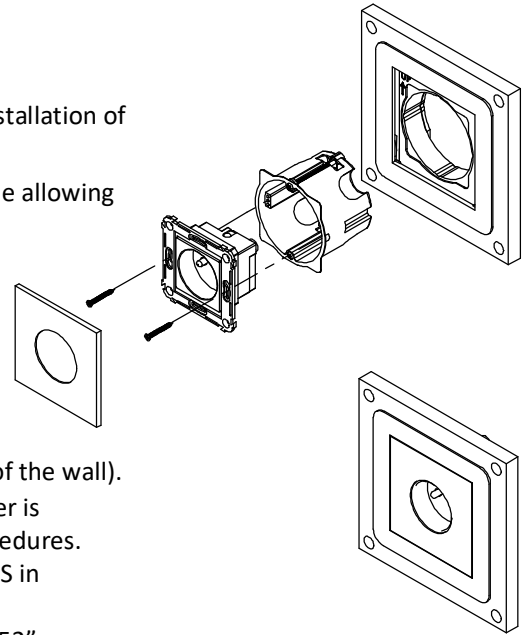
#### WS NC FOR ATELIER LUXUS FACET 84X84- Product description:

The "WS NC FOR ATELIER LUXUS FACET 84X84" is an adapter for in-wall flush installation of an ATELIER LUXUS FACET 84X84.

The "WS NC FOR ATELIER LUXUS FACET 84X84" securely mounts the device while allowing easy access, insertion and removal.

#### Key features and benefits:

- Flush with the wall.
- Paintable with the wall paint in any color and texture.
- Allows easy insertion and removal.
- The adapter is supplied unpainted (To be painted after installation as part of the wall).
- Designed to be installed in 1/2" drywall. Installation of the Wall-Smart adapter is straight-forward. Installation process is similar to drywall construction procedures. Before installation, read Wall-Smart installation instruction 10-04-00101-INS in <http://www.wall-smart.com/faq>
- For installation in concrete/block wall use "WS CONCRETE ADAPTOR 152x152" P/N 10-01-577 (sold separately) according installation instruction 10-04-00103-INS in <http://www.wall-smart.com/faq>
- Designed for ATELIER LUXUS FACET 84X84 (faceplate, socket and back box are not included).
- Adapter kit contains X1 Wall adapter



#### Key properties:

- Dimensions (W/H/D): 151mm (5.94")/ 151mm (5.94")/ 25.3mm (1.0")
- Power Supply: None (manual adapter).
- Weight: 0.19Kg, 0.42lbs.
- Material: Chemically treated, Moisture resistant MDF

USE LEGRAND 1-GANG ACCESSORY BOX CAT. NO. 0 800 41. DEPTH: 40 mm Ø 67 mm (OR EQUIVALENT)

TO OPEN THE FACEPLATE INSERT AND PUSH A THIN PLASTIC CARD INTO THE VERTICAL GAP ON THE BOTTOM RIGHT OR ON THE TOP LEFT CORNERS

