



Model: WS CONCRETE ADAPTER 186X143X80

Family: WALL-SMART

DWG NO. 100-4-983-SPC

Model No.: 100-1-983

PRODUCT SPEC.

REVISION A

DATE 05/02/2024



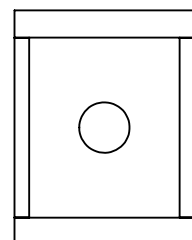
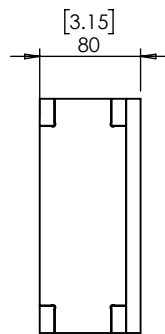
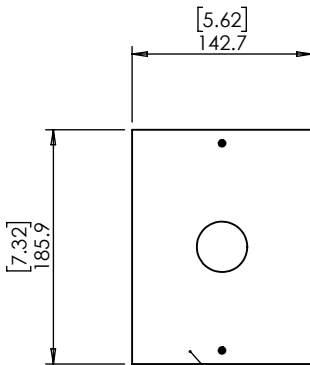
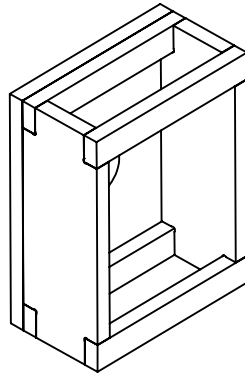
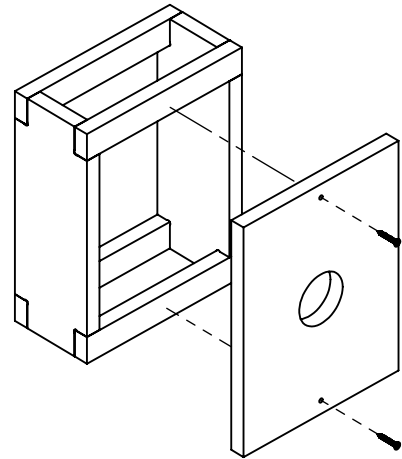
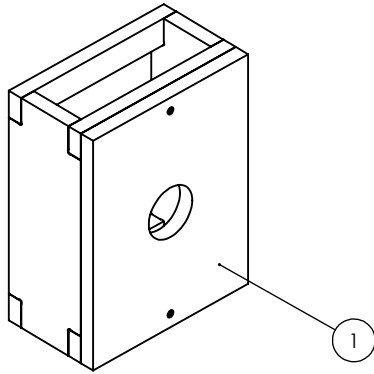
Make Your Wall Smart

WS CONCRETE ADAPTOR 186X143X80

- Designed to support a Wall-Smart wall mount in concrete/brick walls.
- Wall should be plastered up to the front detachable plate (item #1).
- Front detachable plate (item #1) should be removed after the wall was plastered (to be replaced with the adapter).

Key properties:

- Material: MOISTURE RESISTANT MDF
- Dimensions (W/H/D): 142.7 (5.62")/ 185.9mm (7.32")/ 80mm (3.15")
- Weight: 0.6Kg, (1.33lbs)



PLASTER WALL UP TO THIS SURFACE →