



Model: WS for C4 Square Wired Keypad C4-SKCB2

Family: WALL-SMART

DWG NO. 10-04-764-SPC



Model No.: 10-01-764

PRODUCT SPEC.

REVISION A

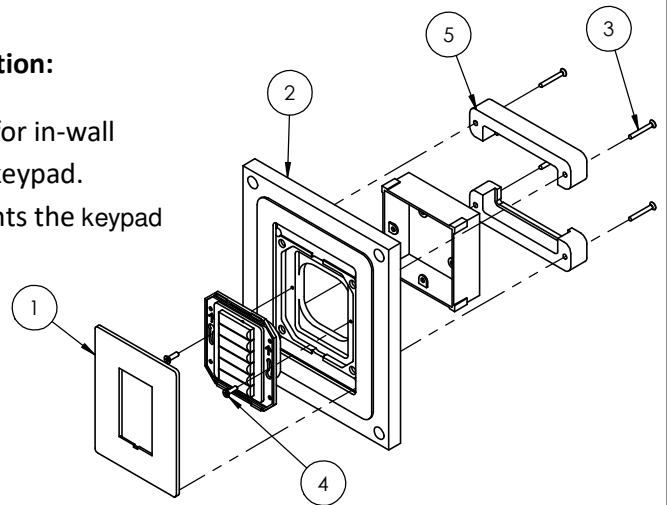
DATE 1/July/2017

Make Your Wall Smart

“WS for C4 Square Wired Keypad C4-SKCB2” - Product description:

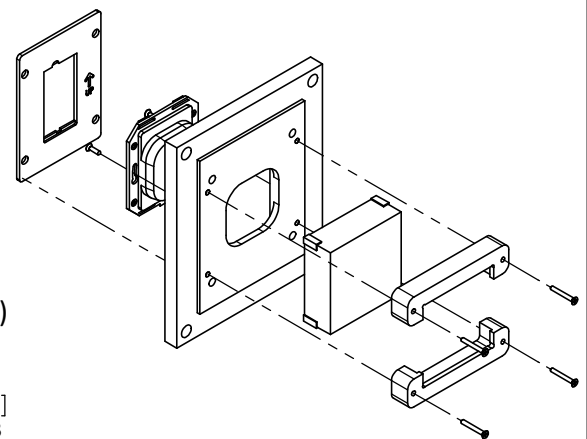
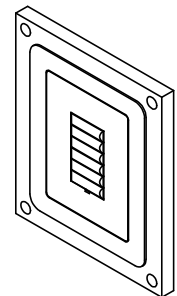
The “WS for C4 Square Wired Keypad C4-SKCB2” is an adapter for in-wall flush installation of a Control4 square wired keypad C4-SKCB2 keypad.

The “WS for C4 Square Wired Keypad C4-SKCB2” securely mounts the keypad while allowing easy access, insertion and removal.



Key features and benefits:

- Flush with the wall.
- Paintable with the wall paint in any color and texture.
- Allows easy insertion and removal of the keypad by manual push and magnet detachment of the keypad tray.
- The adapter is supplied unpainted (To be painted after installation as part of the wall).
- Designed to be installed in ½” drywall. Installation of the Wall-Smart adapter is straight-forward. Installation process is similar to drywall construction procedures. Before installation, read Wall-Smart installation instruction 10-04-00101-INS in <http://www.wall-smart.com/faq>
- For installation in concrete/block wall use “WS CONCRETE ADAPTOR 180X152” P/N 10-01-272 (sold separately) according installation instruction 10-04-00103-INS in <http://www.wall-smart.com/faq>
- Designed for the use with Control4 C4-SKCB2 keypad. (keypad not included).
- Adapter kit contains:
 - Wall adapter (item 2)
 - Keypad faceplate (item 1)
 - (4x) ST3x25 Screws (item 3)
 - (2x) ST3x13 Screws (item 4)
 - (2x) UK Back box clip (item 5)



Key properties:

- Dimensions (W/H/D): 150mm (5.9")/ 148.4mm (7")/ 16.6mm (0.65")
- Power Supply: None (manual adapter).
- Weight: 0.237Kg, 0.52lbs.

