



Model: WS FOR T&J  
JC1403 LWH 3GANG

Family: WALL-SMART  
DWG NO. 10-04-731-SPC



Model No.: 10-01-731

PRODUCT SPEC.

REVISION B  
DATE 05/May/2017

## Make Your Wall Smart

### “WS FOR T&J JC1403 LWH 3GANG” - Product description:

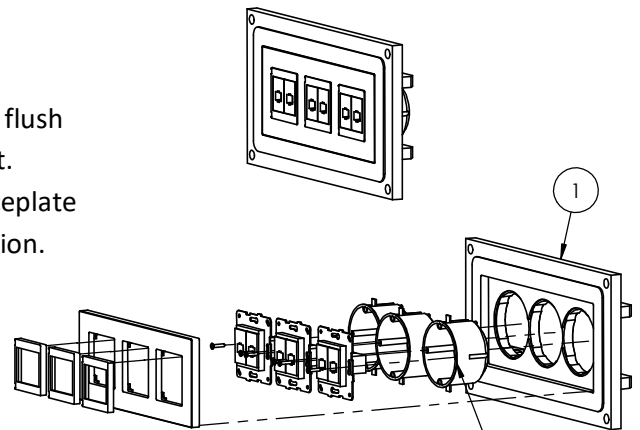
The “WS FOR T&J JC1403 LWH 3GANG” is an adapter for in-wall flush installation of T&J JC1403 LWH 3 gang faceplate and equipment. The “WS FOR T&J JC1403 LWH 3GANG” securely mounts the faceplate and equipment while allowing easy access, insertion and operation.

### Key features and benefits:

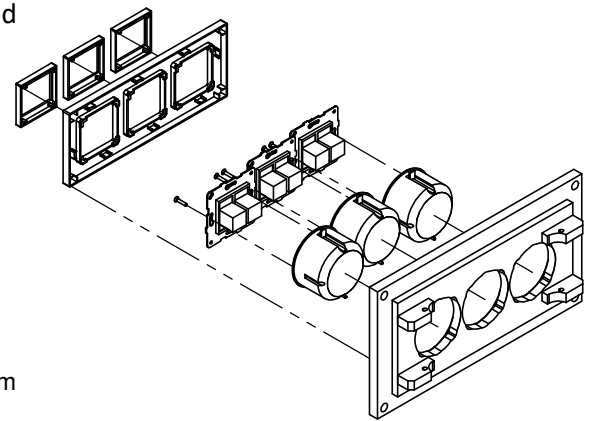
- Flush with the wall.
- Paintable with the wall paint in any color and texture.
- Allows easy insertion and removal of the faceplate and equipment.
- The adapter is supplied unpainted (To be painted after installation as part of the wall).
- Designed to be installed in ½” drywall. Installation of the Wall-Smart adapter is straight-forward. Installation process is similar to drywall construction procedures. Before installation, read Wall-Smart installation instruction 10-04-00101-INS in <http://www.wall-smart.com/faq>
- For installation in concrete/block wall use a Wall-Smart concrete adapter P/N TBD (sold separately) according installation instruction 10-04-00103-INS in <http://www.wall-smart.com/faq>
- Designed for the use with T&J JC1403 LWH 3GANG (faceplate and equipment are not included).
- Adapter kit contains:
  1. Wall adapter;
  2. (x4) ST3.5 x16 screws

### Key properties:

- Dimensions (W/H/D): 305.8mm (12")/ 165mm (6.5")/ 22mm (0.87")
- Power Supply: None (manual adapter).
- Weight: 0.25Kg, 0.55lbs.
- Material: Moisture resistant MDF
- To be installed in ½” drywall (for installation in 5/8” drywall use 1/8” shim pack P/N 10-01-067 (sold separately)).



3 One-gang junction box for hole Ø68mm  
Dimensions to DIN 49073-1  
(Not included)



Optionally, apply 3gang metal T&J back box  
(Not included)

