



Model: WS FOR CONTROL4 T3 10"
- SOLID SURFACE
- BLACK / WHITE (-BL / -WH)

Model No.: 10-01-700

Family: WALL-SMART

DWG NO. 10-04-700-SPC

PRODUCT SPEC.

REVISION A

DATE 10/Oct./2017



Make Your Wall Smart

“WS FOR CONTROL4 T3 10” - SOLID SURFACE” - Product description:

The “WS FOR CONTROL4 T3 10” - SOLID SURFACE” is an adapter for in-wall flush installation of a C4-WALL10- touch screen in solid board walls.

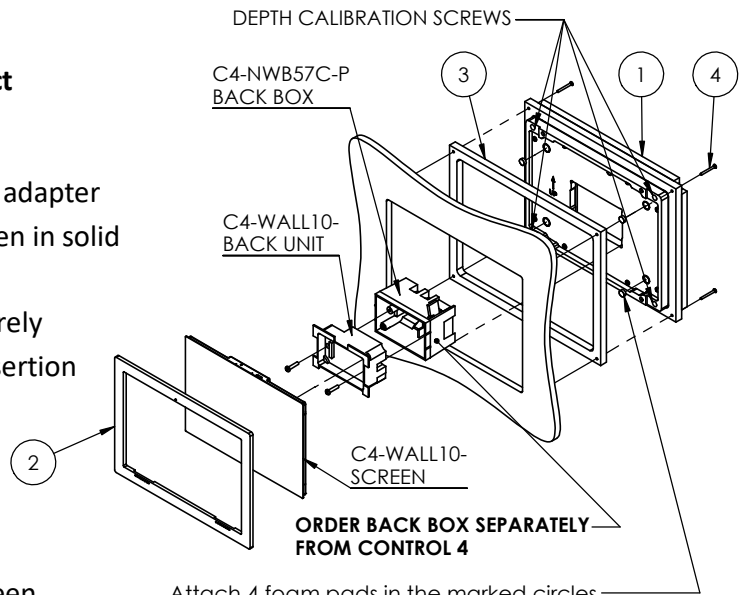
The “WS FOR CONTROL4 T3 10” - SOLID SURFACE” securely mounts the touch screen while allowing easy access, insertion and removal.

Key features and benefits:

- Flush with the wall.
- Allows easy insertion and removal of the touch screen.
- Designed to be installed in 6.1 ~ 34mm (0.24” ~ 1.34”) thick solid boards.
- Installation adapter contains depth adjustment mechanism.
- Installation kit contain:
X1 installation adapter (item #1)
X1 Bezel (item #2)
X1 routing template (item #3)
X4 ST3x40 screws (item #4)
- The bezel is supplied painted black (-BL) or white (-WH) according part number suffix ordered. The bezel may be custom ordered without paint (-WO)
- Designed for C4-WALL10- touch screen (by Control4) (Touch screen not included).

Key properties:

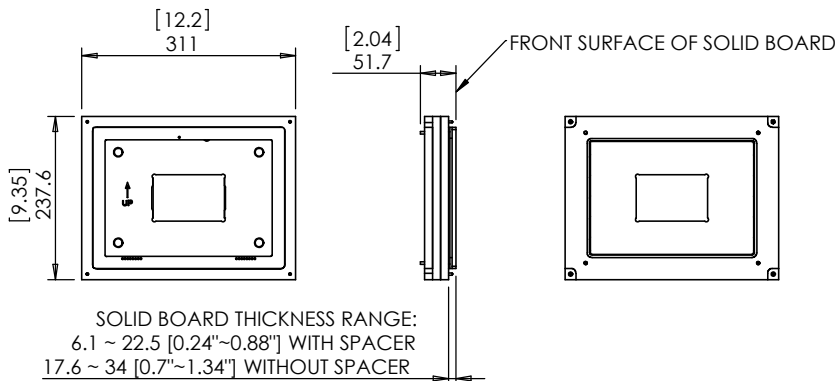
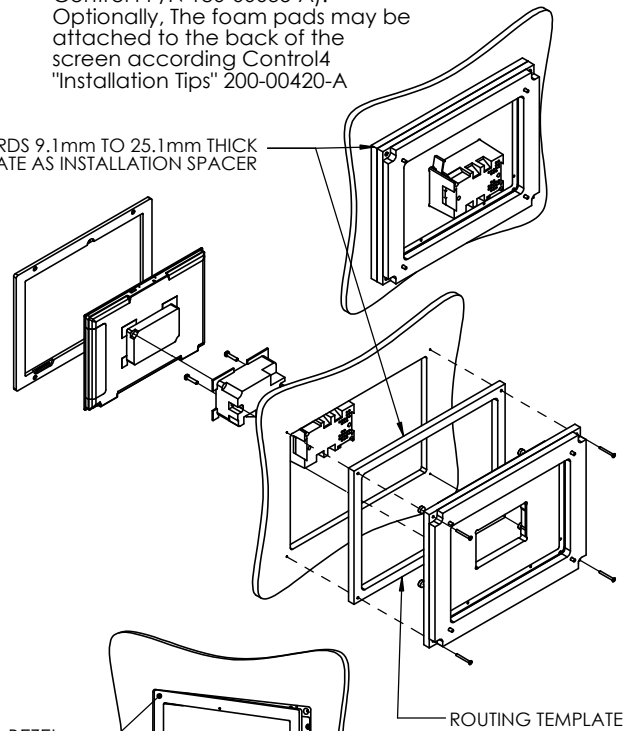
- Dimensions (W/H/D): 311mm (12.2”)/ 237.6mm (9.35”)/ 51.7mm (2.04”)
- Power Supply: None (manual adapter).
- Weight: 1.1Kg, 3.3lbs.
- Material: Moisture resistant MDF



ORDER BACK BOX SEPARATELY FROM CONTROL 4

Attach 4 foam pads in the marked circles on the back wall. (Foam pads supplied by Control4 with the 10” touch screen Control4 P/N 180-00035-A).
Optionally, The foam pads may be attached to the back of the screen according Control4 "Installation Tips" 200-00420-A

FOR INSTALLATION IN BOARDS 9.1mm TO 25.1mm THICK
USE ROUTING TEMPLATE AS INSTALLATION SPACER



- TO DETACH SCREEN
- UNSCREW 8 SCREWS
 - DETACH SCREEN ASSEMBLY
 - APPLY Control4 DETACHING TOOL

[0.157]
R4

+0.012
[8.142 -0.004]
+0.3
206.8 -0.1

WS FOR CONTROL4 T3 10"
- SOLID SURFACE
- BLACK / WHITE (-BL / -WH)

ROUTING TEMPLATE
SCALE 1:1

+0.012
[11.031 -0.004]
+0.3
280.2 -0.1

DOWNLOAD THE FOLLOWING LINK FOR COMPLETE TEMPLATE IN DXF FORMAT:

<http://www.wall-smart.com/uploads/2/4/1/6/24165207/10-04-700-template.dxf>