



Model: WS for PALLADIOM SQUARE
2COL GLASS

Family: WALL-SMART
DWG NO. 10-04-506-SPC



Model No.: 10-01-506

PRODUCT SPEC.

REVISION A
DATE 05/AUG./2015

Make Your Wall Smart

“WS for PALLADIOM SQUARE 2COL GLASS” - Product description:

The “WS for PALLADIOM SQUARE 2COL GLASS” is an adapter for in-wall flush installation of PALLADIOM SQUARE 2COLUMN glass keypad.

The “WS for PALLADIOM SQUARE 2COL GLASS” securely mounts the keypad while allowing easy access, insertion and operation.

Key features and benefits:

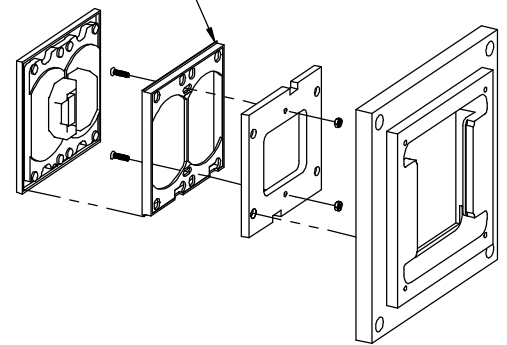
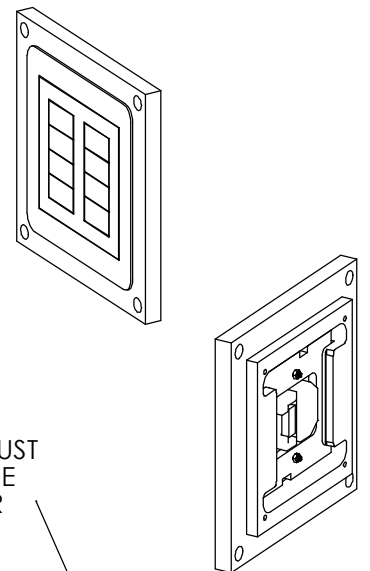
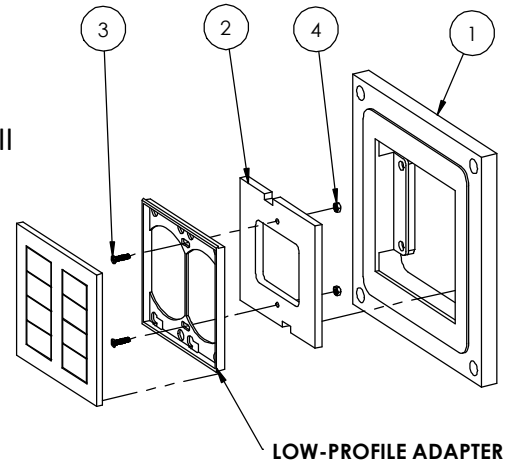
- Flush with the wall.
- Paintable with the wall paint in any color and texture.
- Allows easy insertion and removal of the keypad.
- The adapter is supplied unpainted (To be painted after installation as part of the wall).
- Designed to be installed in 1/2" drywall. Installation of the Wall-Smart adapter is straight-forward. Installation process is similar to drywall construction procedures. Before installation, read Wall-Smart installation instruction 10-04-00101-INS in <http://www.wall-smart.com/faq>
- Designed for the use with WS for PALLADIOM SQUARE 2COL GLASS keypad (by Lutron) (keypad is not included).
- Adapter kit contains:

1. Wall adapter (X1)
2. Keypad adapter (X1)
3. CS M3x12 screws (X2)
4. M3 nuts (X2)

ATTENTION: KEYPAD MUST BE INSTALLED USING THE LOW-PROFILE ADAPTER

Key properties:

- Dimensions (W/H/D): 165mm (6.5")/ 165mm (6.5")/ 22mm (0.87")
- Power Supply: None (manual adapter).
- Weight: 0.25Kg, 0.55lbs.
- Material: Moisture resistant MDF
- To be installed in 1/2" drywall (for installation in 5/8" drywall use 1/8" shim pack P/N 10-01-067 (sold separately)).



PUSH TO OPEN

