



Model: WS for PALLADIOM SQUARE 2COL SOLID.B

Family: WALL-SMART

DWG NO. 10-04-505-SPC



Model No.: 10-01-505

PRODUCT SPEC.

REVISION B
DATE 07/APRIL/2016

Make Your Wall Smart

“WS for PALLADIOM SQUARE 2COL SOLID.B” - Product description:

The “WS for PALLADIOM SQUARE 2COL SOLID.B” is an adapter for in-wall flush installation of a Palladiom, square style, 2 column keypad in solid board walls.

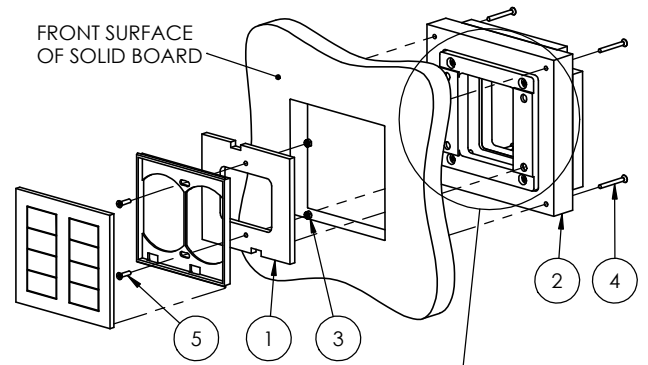
The “WS for PALLADIOM SQUARE 2COL SOLID.B” securely mounts the keypad while allowing easy access, insertion and removal.

Key features and benefits:

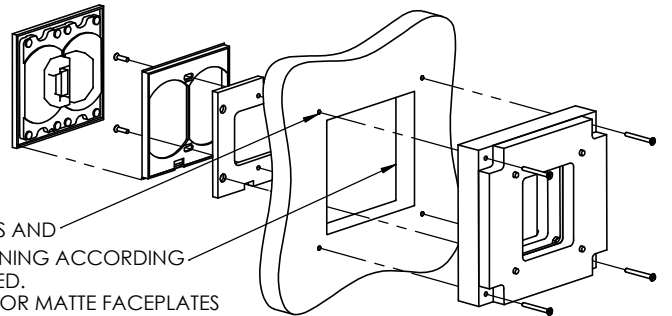
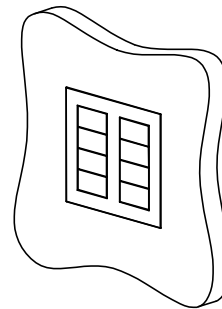
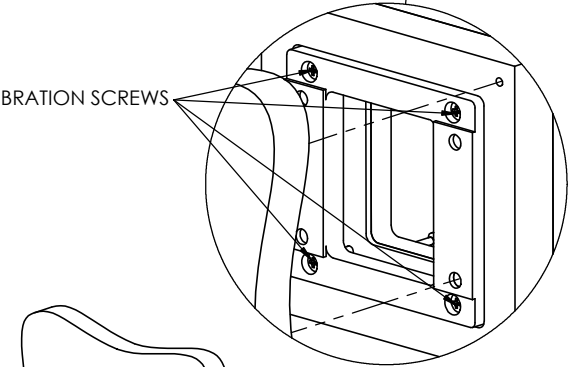
- Allows easy insertion and removal of the keypad by manual push and magnet detachment of the keypad adaptor.
- Designed to be installed in 12.2 ~ 29.1mm (0.48” ~ 1.145”) thick solid boards.
- Installation kit contain:
X1 keypad adaptor frame (item #1)
X1 wall adaptor (item #2)
X4 ST3x30 screws (item #4)
X2 M3x12 screws (item #5)
X2 M3 nut (item #3)
- Designed for the use with Palladiom, square style, 2 column keypad (by Lutron©) (keypad not included).

Key properties:

- Dimensions (W/H/D): 138mm (5.43")/ 130mm (5.12")/ 56.1mm (2.21")
- Power Supply: None (manual adapter).
- Weight: 0.35Kg, 0.77lbs.

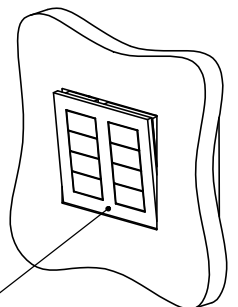
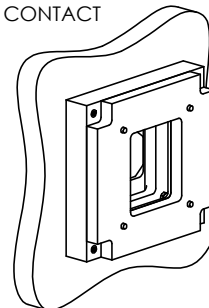
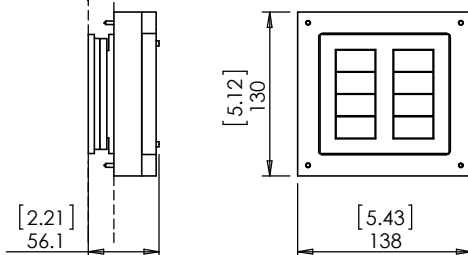
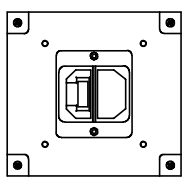


4 DEPTH CALIBRATION SCREWS



MARK SCREW HOLES AND ROUTE KEYPAD OPENING ACCORDING TEMPLATES ATTACHED.
PAGE 2: TEMPLATE FOR MATTE FACEPLATES
PAGE 3: TEMPLATE FOR METAL FACEPLATES
PAGE 3: TEMPLATE FOR GLASS FACEPLATES
FOR DXF FILES AND CNC DXF FILES CONTACT WALL-SMART

FRONT SURFACE OF SOLID BOARD
[0.48] ~ [1.14]
12.2 ~ 29.1
SOLID BOARD THICKNESS





Model: WS for PALLADIOM SQUARE
2COL SOLID.B

Family: WALL-SMART

DWG NO. 10-04-505-SPC

Model No.: 10-01-505

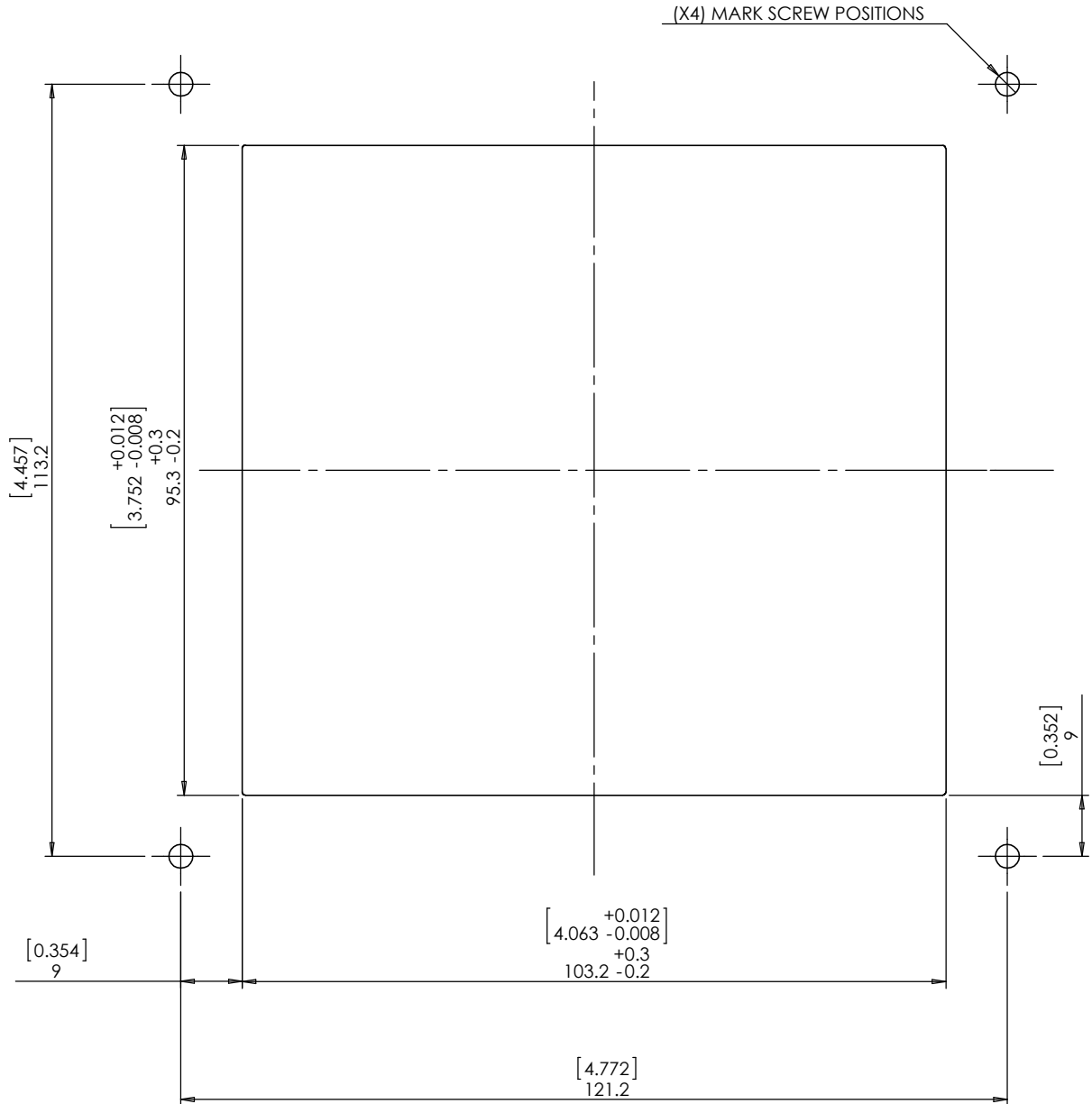
PRODUCT SPEC.

REVISION B

DATE 07/APRIL/2016



CUTOUT TEMPLATE FOR PALLADIOM SQUARE 2COLUMN **MATTE (PLASTIC)** FACEPLATE:



<http://www.wall-smart.com/uploads/2/4/1/6/24165207/10-04-505-template.dxf>



Model: WS for PALLADIOM SQUARE
2COL SOLID.B

Family: WALL-SMART

DWG NO. 10-04-505-SPC

Model No.: 10-01-505

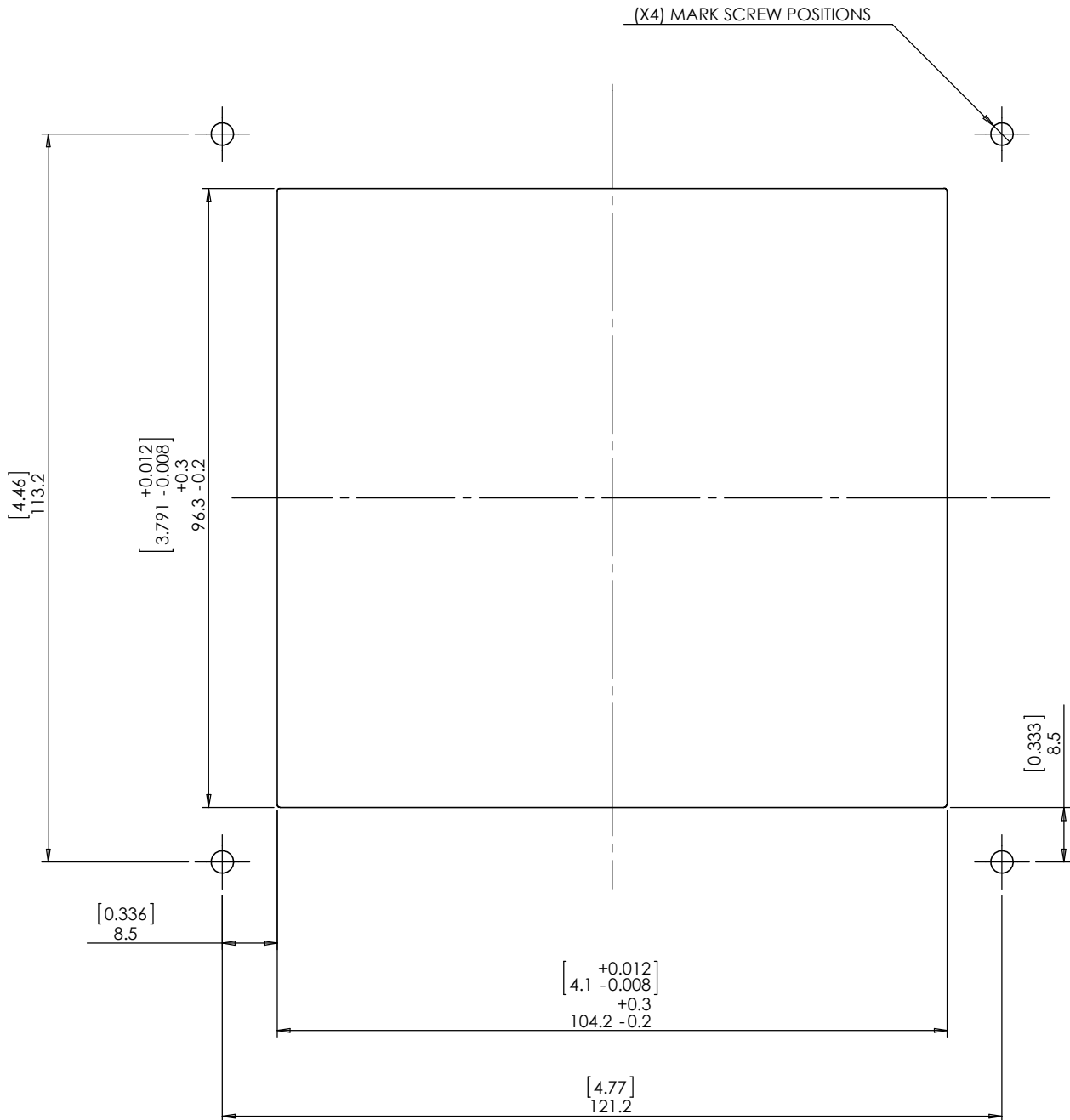
PRODUCT SPEC.

REVISION B

DATE 07/APRL./2016



CUTOUT TEMPLATE FOR PALLADIOM SQUARE 2COLUMN **METAL** FACEPLATE:



<http://www.wall-smart.com/uploads/2/4/1/6/24165207/10-04-505-template.dxf>



Model: WS for PALLADIOM SQUARE
2COL SOLID.B

Family: WALL-SMART

DWG NO. 10-04-505-SPC

Model No.: 10-01-505

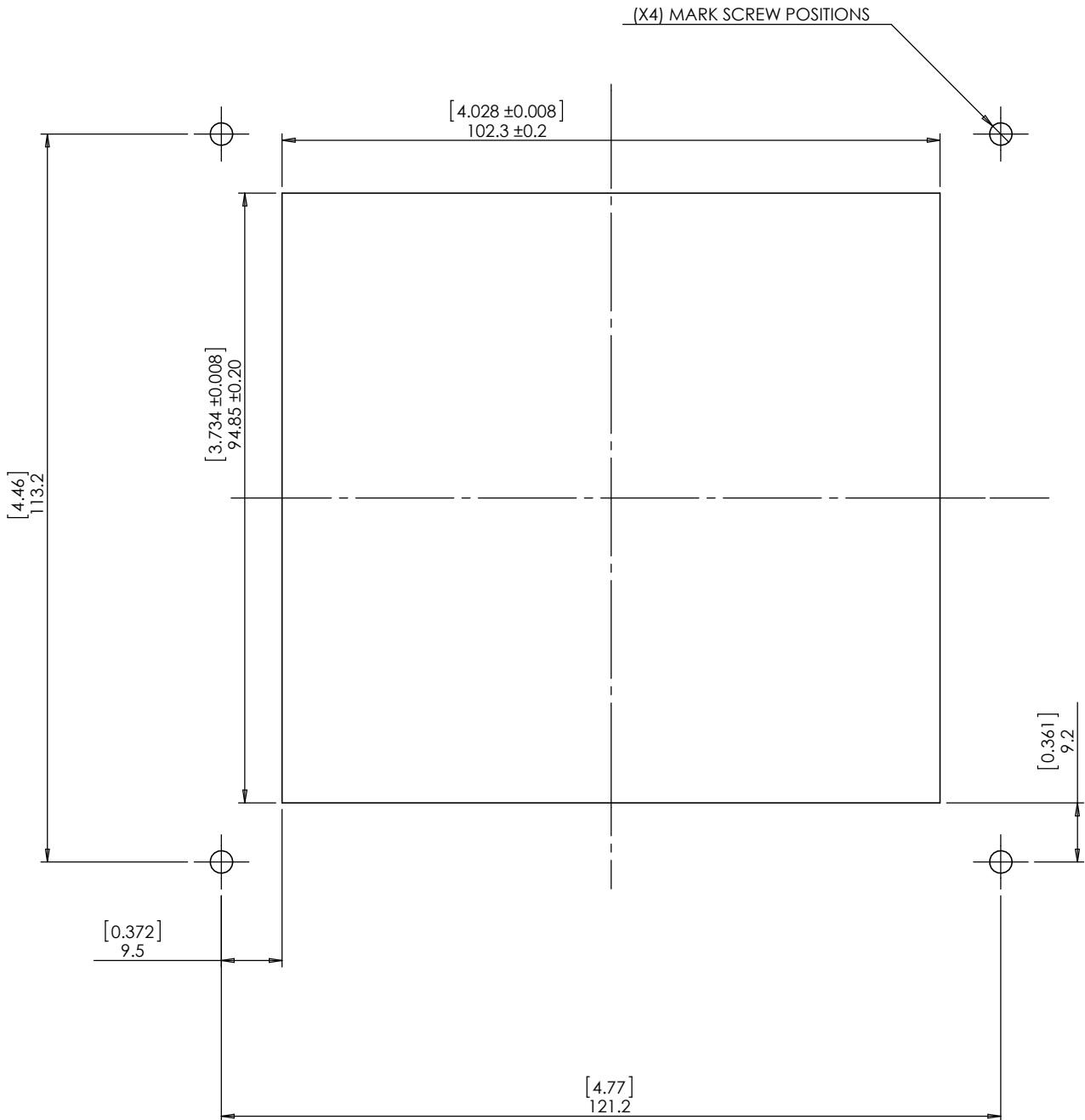
PRODUCT SPEC.

REVISION B

DATE 07/APRIL/2016



CUTOUT TEMPLATE FOR PALLADIOM SQUARE 2COLUMN **GLASS** FACEPLATE:



<http://www.wall-smart.com/uploads/2/4/1/6/24165207/10-04-505-template.dxf>