



Model: WS for PALLADIOM SQUARE 1COL SOLID.B

Family: WALL-SMART

DWG NO. 10-04-500-SPC



Model No.: 10-01-500

PRODUCT SPEC.

REVISION B

DATE 24/MAR/2021

Make Your Wall Smart

“WS for PALLADIOM SQUARE 1COL SOLID.B” - Product description:

The “WS for PALLADIOM SQUARE 1COL SOLID.B” is an adapter for in-wall flush installation of a Palladiom, square style, 1 column keypad in solid board walls.

The “WS for PALLADIOM SQUARE 1COL SOLID.B” firmly mounts the keypad while allowing easy access, insertion and removal.

Key features and benefits:

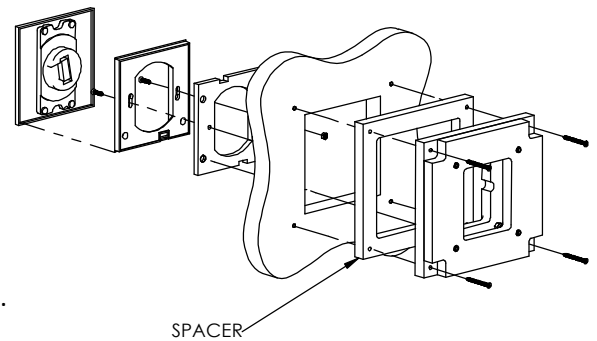
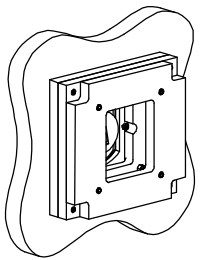
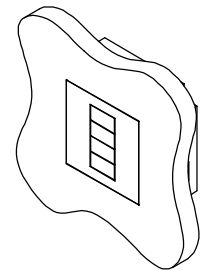
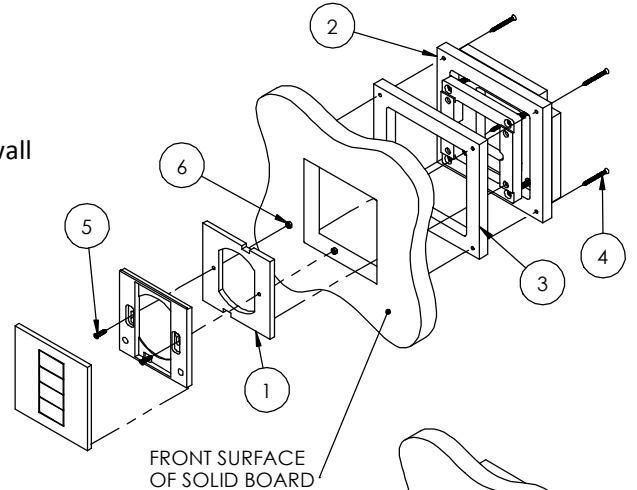
- Flush with the wall.
- Allows easy maintenance access.
- Includes depth calibration mechanism and spacer allowing installation in a range of board thicknesses:
With spacer from 8.7mm [0.34”] up to 24mm [0.94”].
Without spacer from 20mm [0.78”] up to 35.6mm [1.4”].
- See pages 2-4 for templates and routing dimensions.
- Designed for the use with Palladiom, square style, 1 column keypad (by Lutron©) (keypad not included).

Kit includes:

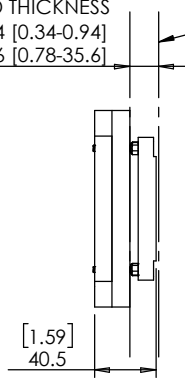
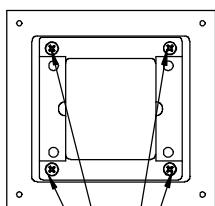
1. Keypad adapter frame (x1)
2. Wall adapter (item x1)
3. Spacer (x1)
4. ST3x40 screws (x4)
5. M3x12 screws (x2)
6. M3 nut (x2)

Key properties:

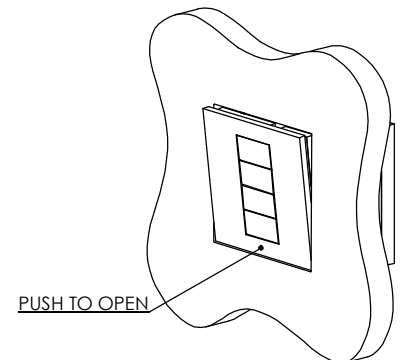
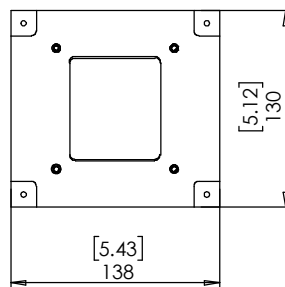
- Dimensions (W/H/D): 138mm (5.43”)/ 130mm (5.12”)/ 40.5mm (1.59”)
- Power Supply: None (manual adapter).
- Weight: 0.35Kg, 0.77lbs.
- Material: Moisture resistant MDF (compliant with TSCA Title VI).



SOLID BOARD THICKNESS
WITH SPACER 8.7-24 [0.34-0.94]
WITHOUT SPACER 20 - 35.6 [0.78-35.6]



FRONT SURFACE OF SOLID BOARD





Model: WS for PALLADIOM SQUARE
1COL SOLID.B

Family: WALL-SMART

DWG NO. 10-04-500-SPC

Model No.: 10-01-500

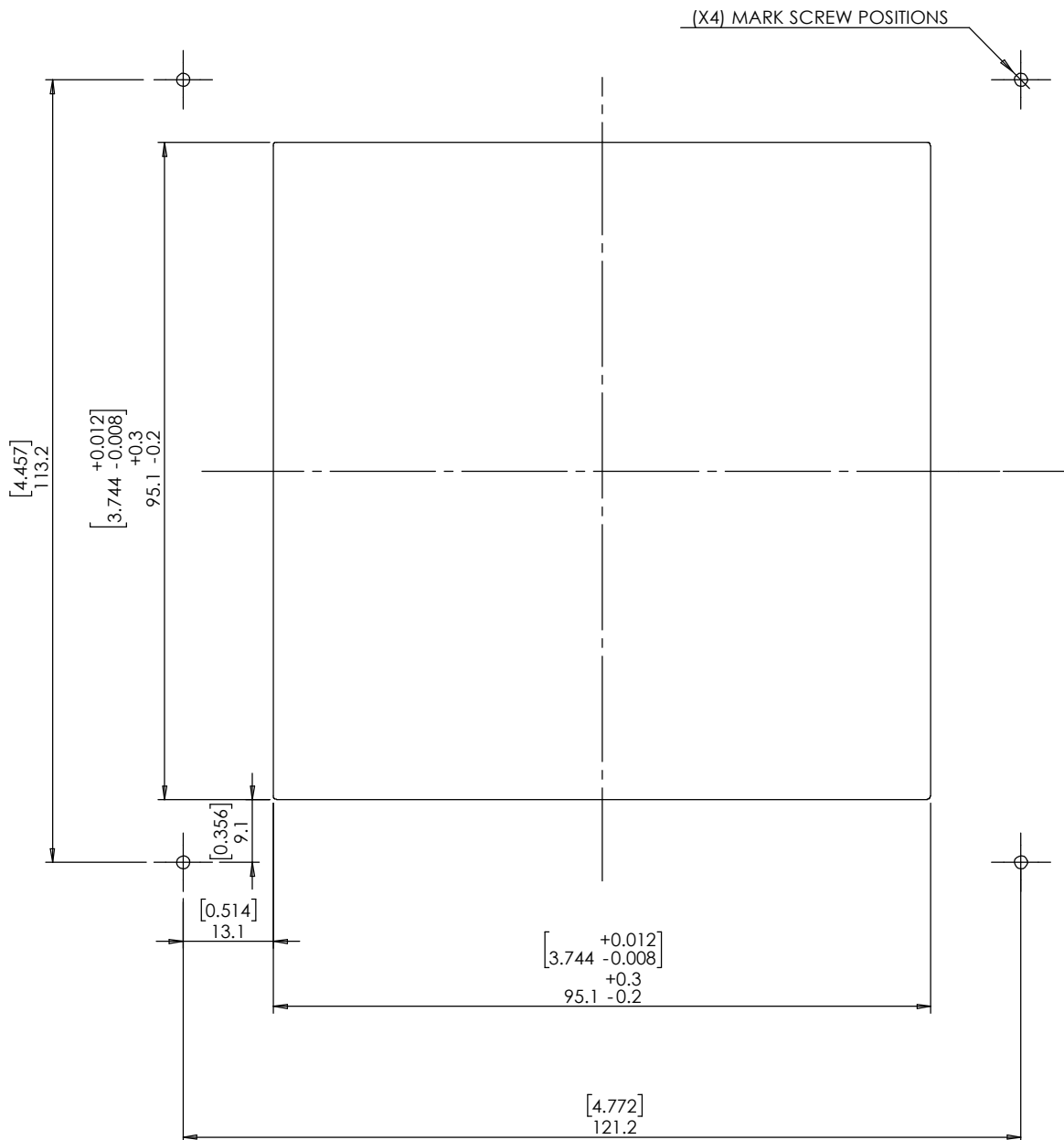
PRODUCT SPEC.

REVISION B

DATE 24/MAR/2021



CUTOUT TEMPLATE FOR PALLADIOM SQUARE 1 COLUMN **MATTE (PLASTIC)** FACEPLATE ONLY:



<http://www.wall-smart.com/uploads/2/4/1/6/24165207/10-04-500-template.dxf>



Model: WS for PALLADIOM SQUARE
1COL SOLID.B

Family: WALL-SMART

DWG NO. 10-04-500-SPC

Model No.: 10-01-500

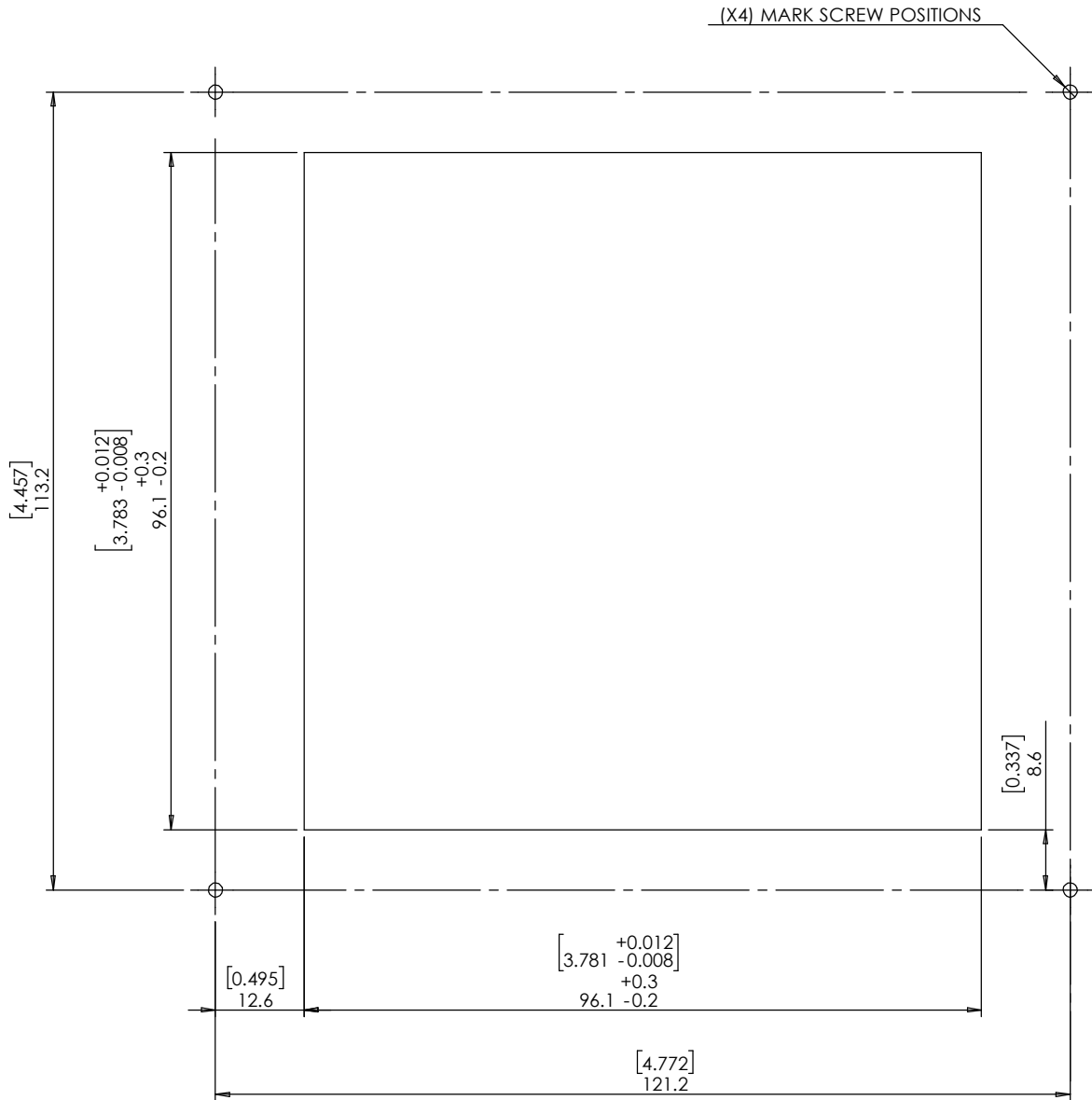
PRODUCT SPEC.

REVISION B

DATE 24/MAR/2021



CUTOUT TEMPLATE FOR PALLADIOM SQUARE 1 COLUMN **METAL** FACEPLATE ONLY:



<http://www.wall-smart.com/uploads/2/4/1/6/24165207/10-04-500-template.dxf>



Model: WS for PALLADIOM SQUARE
1COL SOLID.B

Family: WALL-SMART

DWG NO. 10-04-500-SPC

Model No.: 10-01-500

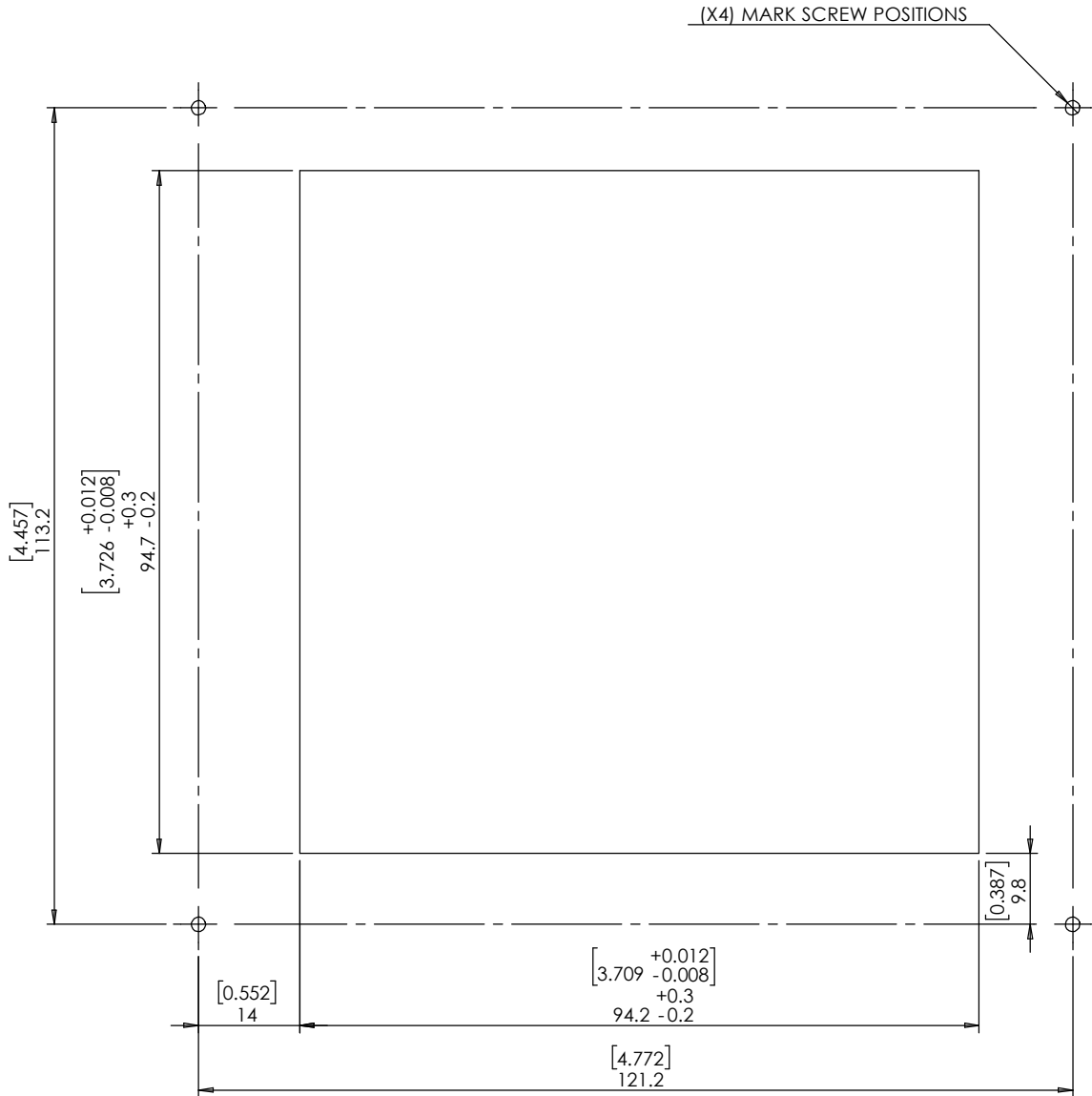
PRODUCT SPEC.

REVISION B

DATE 24/MAR/2021



CUTOUT TEMPLATE FOR PALLADIOM SQUARE 1 COLUMN **GLASS** FACEPLATE ONLY:



<http://www.wall-smart.com/uploads/2/4/1/6/24165207/10-04-500-template.dxf>