



Model: WS FOR NEW ARCHITECTURAL 1G SOLID SURFACE

Family: WALL-SMART

DWG NO. 10-04-382-SPC

Model No.: 10-01-382

PRODUCT SPEC.

REVISION C

DATE 21/JUNE/2022



**Make Your Wall Smart**

**WS FOR NEW ARCHITECTURAL 1G SOLID SURFACE - Product description:**

The "WS FOR NEW ARCHITECTURAL 1G SOLID SURFACE" is an adapter for 1 gang in-wall flush installation of a Lutron New Architectural Style high voltage products in solid surfaces.

The "WS FOR NEW ARCHITECTURAL 1G SOLID SURFACE" securely mounts the New Architectural Style faceplate & product while allowing easy access, insertion and removal.

**Key features and benefits:**

- Flush with the wall.
- Includes depth calibration mechanism and a spacer allowing installation in wide range of board thicknesses:
  - For installation in boards 3mm ~ 19 mm (0.12" ~ 0.75") thick, install spacer.
  - For installation in boards 14mm ~ 30.6mm (0.55" ~ 1.2") thick, do not install spacer.
- Allows easy maintenance access.
- Designed for the use with Lutron New Architectural Style products. (Lutron products and back box not included)

**Kit includes:**

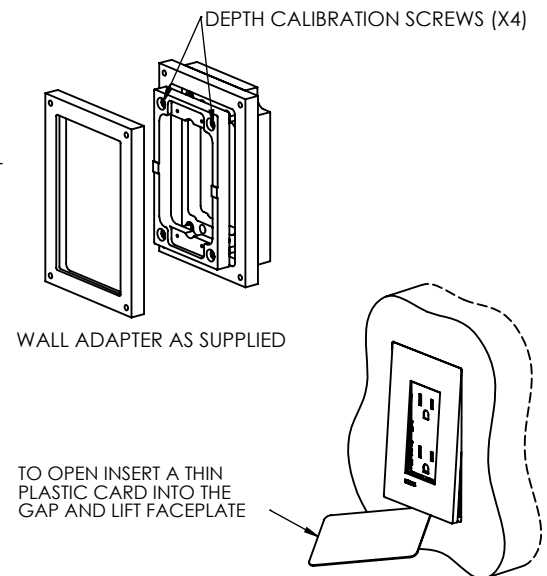
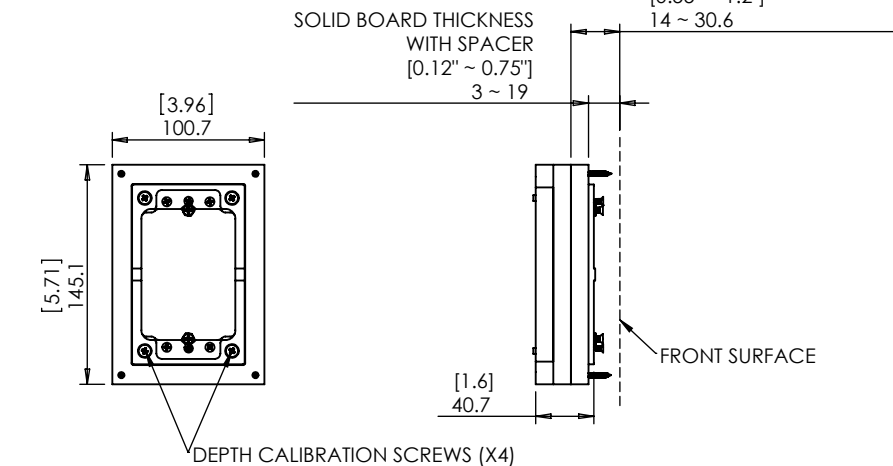
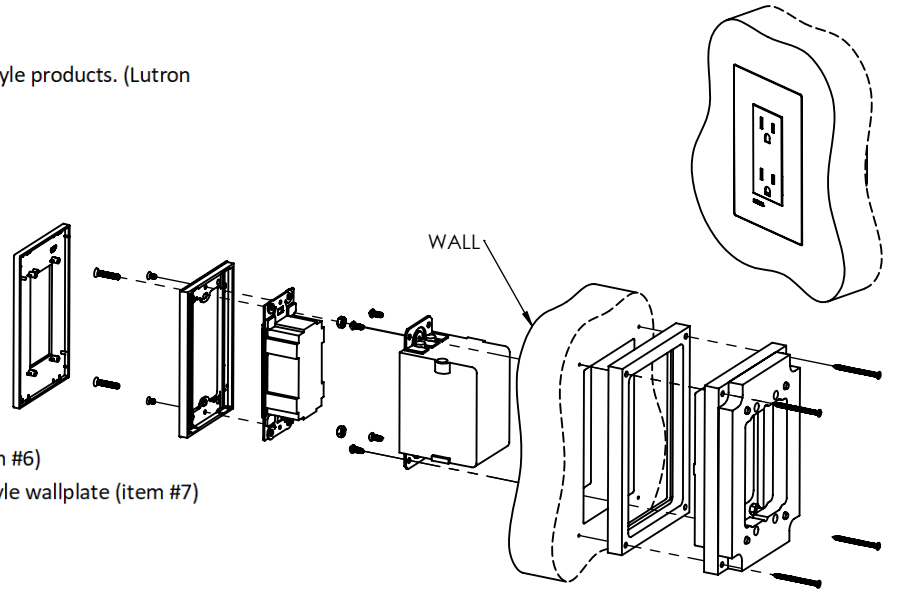
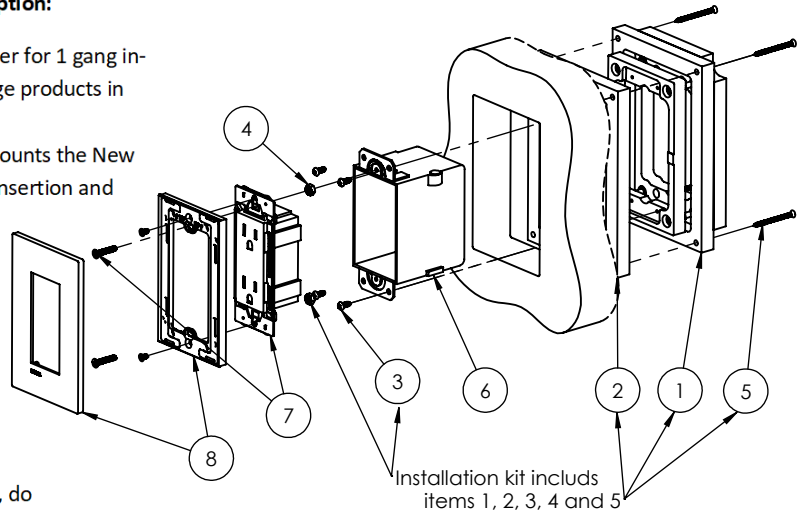
- (x1) Wall adaptor (item #1)
- (x1) Spacer frame (item #2)
- (x4) ST3 screws (item #3)
- (x2) Installation spacer (M4 NUT) (item #4)
- (x4) Adapter mounting screws ST3 X40mm (item #5)

**Kit does not include:**

- Metal back box, Hubbel-Raco 420 (or equivalent) (item #6)
- Lutron product to be installed in New Architectural Style wallplate (item #7)
- Lutron New Architectural Style wallplate (item #8)

**Key properties:**

- Dimensions (W/H/D): 100.7mm (3.96")/ 145.1mm (5.71")/ 40.7mm (1.6")
- Power Supply: None (manual adapter).
- Weight: 0.22Kg, 0.48lb.
- To be installed in 0.12" ~ 1.2" solid boards.
- Material: Moisture resistant MDF





Model: WS FOR NEW ARCHITECTURAL  
1G SOLID SURFACE

Family: WALL-SMART

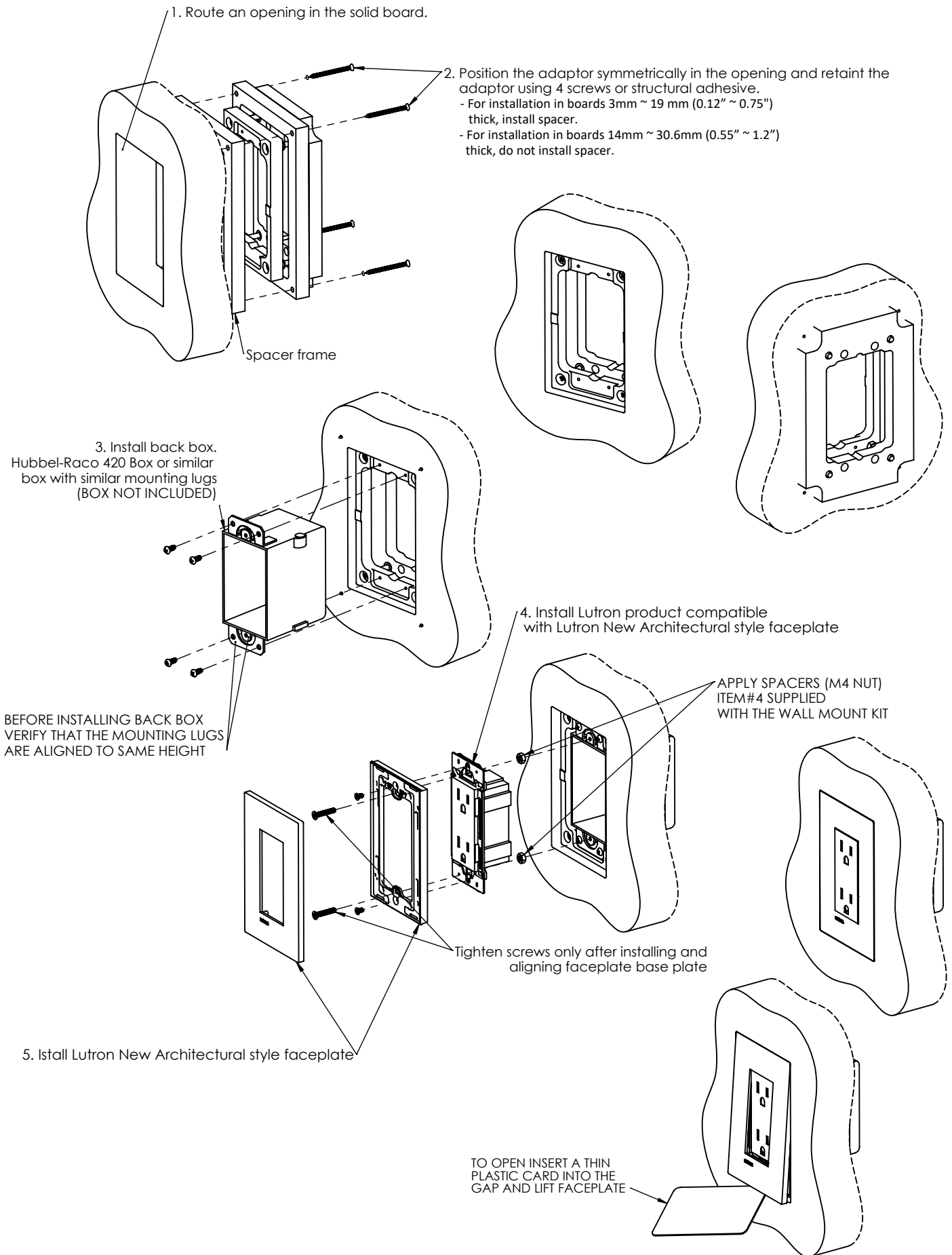
DWG NO. 10-04-382-SPC

Model No.: 10-01-382

PRODUCT SPEC.

REVISION C

DATE 21/JUNE/2022





Model: WS FOR NEW ARCHITECTURAL  
1G SOLID SURFACE

Family: WALL-SMART

DWG NO. 10-04-382-SPC

Model No.: 10-01-382

PRODUCT SPEC.

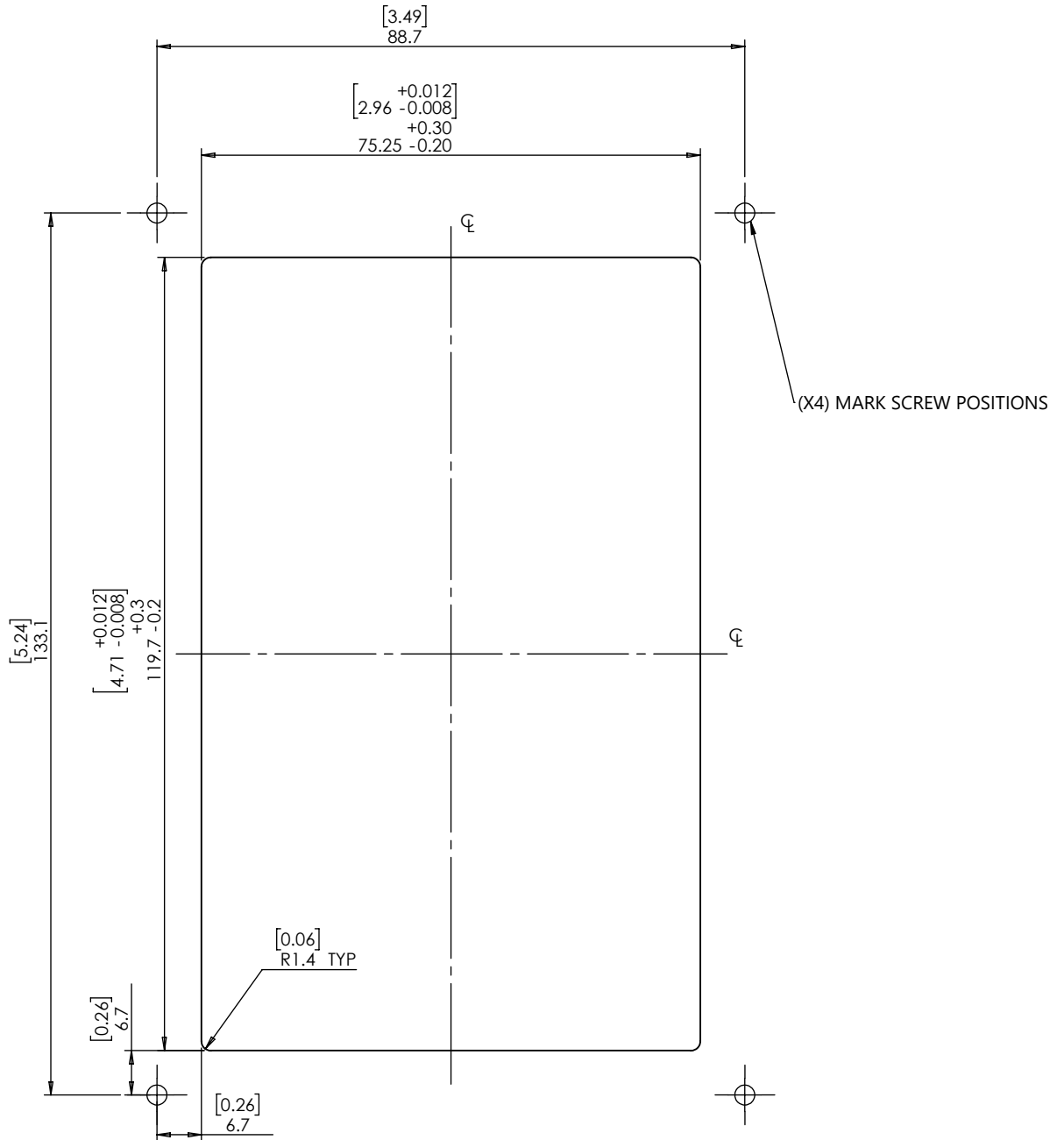
REVISION C

DATE 21/JUNE/2022



CUTOUT TEMPLATE FOR NEW ARCHITECTURAL 1G **MATTE (PLASTIC)** FACEPLATE ONLY:

ROUTING TEMPLATE 1:1







Model: WS FOR NEW ARCHITECTURAL  
1G SOLID SURFACE

Model No.: 10-01-382

Family: WALL-SMART

DWG NO. 10-04-382-SPC

PRODUCT SPEC.

REVISION C  
DATE 21/JUNE/2022



CUTOUT TEMPLATE FOR NEW ARCHITECTURAL 1G **METAL** FACEPLATE ONLY:

ROUTING TEMPLATE 1:1

