



Model: WS for PALLADIOM  
1GANG US GLASS

Family: WALL-SMART

DWG NO. 10-04-357-SPC

Model No.: 10-01-357

PRODUCT SPEC.

REVISION A

DATE 05/AUG./2015



## Make Your Wall Smart

### “WS for PALLADIOM 1GANG US GLASS” - Product description:

The “WS for PALLADIOM 1GANG US GLASS” is an adapter for in-wall flush installation of PALLADIOM 1GANG US GLASS keypad.

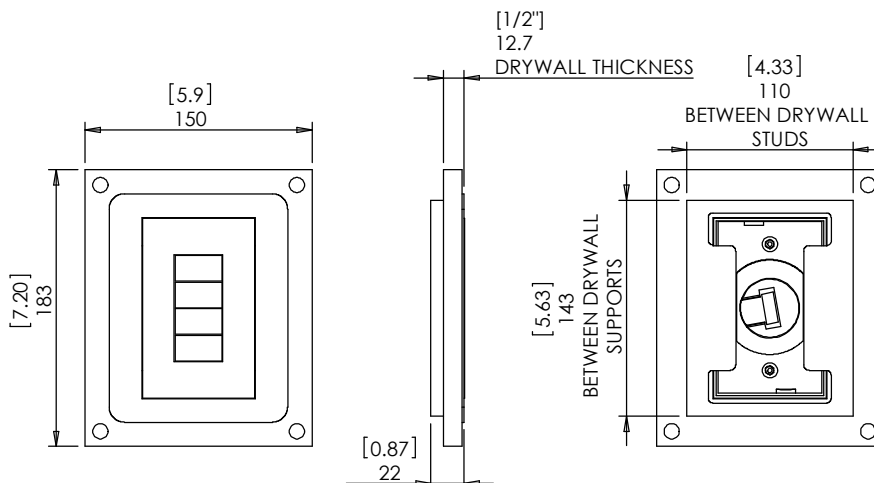
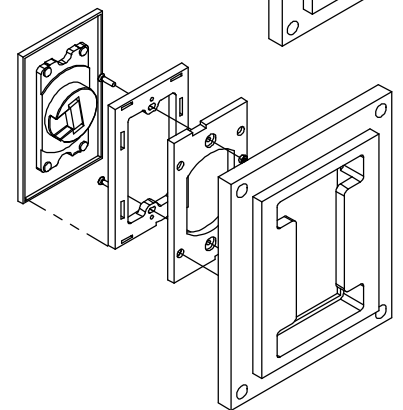
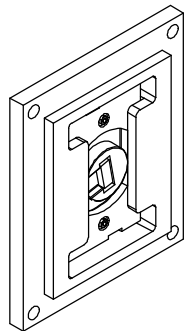
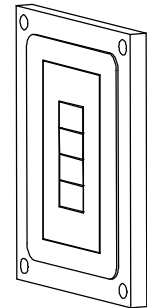
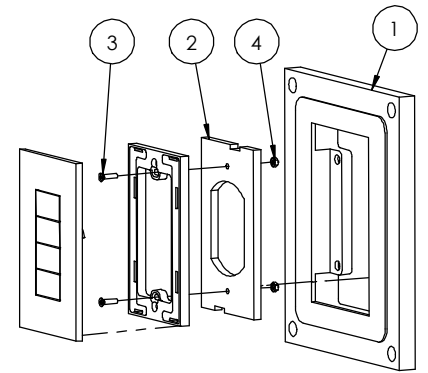
The “WS for PALLADIOM 1GANG US GLASS” securely mounts the keypad while allowing easy access, insertion and operation.

### Key features and benefits:

- Flush with the wall.
- Paintable with the wall paint in any color and texture.
- Allows easy insertion and removal of the keypad.
- The adapter is supplied unpainted (To be painted after installation as part of the wall).
- Designed to be installed in ½” drywall. Installation of the Wall-Smart adapter is straight-forward. Installation process is similar to drywall construction procedures. Before installation, read Wall-Smart installation instruction 10-04-00101-INS in <http://www.wall-smart.com/faq>
- Designed for the use with PALLADIOM 1GANG US GLASS keypad (by Lutron) (keypad is not included).
- Adapter kit contains:
  1. Wall adapter;
  2. Keypad adapter;
  3. (X2) M3x12 screws
  4. (X2) M3 nuts

### Key properties:

- Dimensions (W/H/D): 150mm (5.9")/ 183mm (7.2")/ 22mm (0.87")
- Power Supply: None (manual adapter).
- Weight: 0.26Kg, 0.6lbs.
- Material: Moisture resistant MDF
- To be installed in ½” drywall (for installation in 5/8” drywall use 1/8” shim pack P/N 10-01-067 (sold separately)).



PUSH TO OPEN

