



Model: WS FOR CONTROL4 T3  
7" TOUCH SCREEN

Family: WALL-SMART

DWG NO. 10-04-290-SPC



Model No.: 10-01-290

PRODUCT SPEC.

REVISION A

DATE 22/Feb./2015

## Make Your Wall Smart

### “WS FOR CONTROL4 T3 7” TOUCH SCREEN” - Product description:

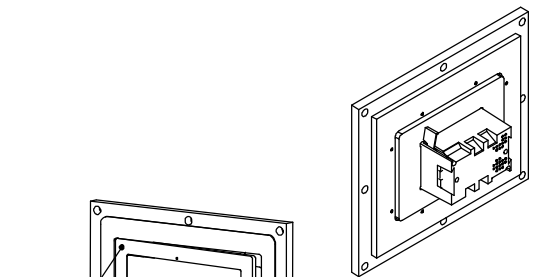
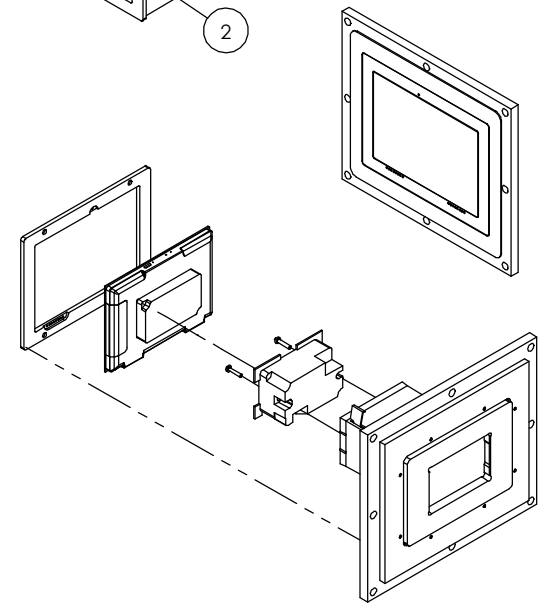
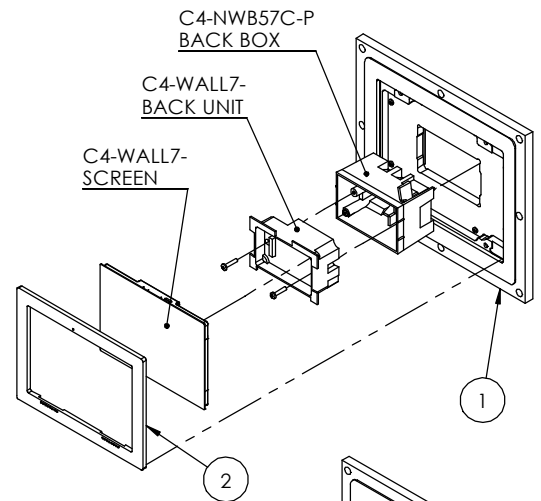
The “WS FOR CONTROL4 T3 7” TOUCH SCREEN” is an adapter for in-wall flush installation of T3 Control 4 7” touch screen.  
The “WS FOR CONTROL4 T3 7” TOUCH SCREEN” securely mounts the touch screen while allowing easy access, insertion and operation.

### Key features and benefits:

- Flush with the wall.
- Paintable with the wall paint in any color and texture.
- Allows easy insertion and removal of the touch screen.
- The adapter is supplied unpainted (To be painted after installation as part of the wall).
- Designed to be installed in ½” drywall. Installation of the Wall-Smart adapter is straight-forward. Installation process is similar to drywall construction procedures. Before installation, read Wall-Smart installation instruction 10-04-00101-INS in <http://www.wall-smart.com/faq>
- For installation in concrete/block wall use “WS CONCRETE ADAPTOR FOR C4 T3 7” P/N 10-01-288 (sold separately) according installation instruction 10-04-00103-INS in <http://www.wall-smart.com/faq>
- Designed for the use with C4-WALL7- touch screen (by Control4) (touch screen and back box not included).
- Adapter kit contains:
  1. Wall adapter;
  2. Bezel;

### Key properties:

- Dimensions (W/H/D): 285mm (11.2")/ 244mm (9.61")/ 26.9mm (1.06")
- Power Supply: None (manual adapter).
- Weight: 0.75Kg, 1.65lbs.
- Material: Moisture resistant MDF
- To be installed in ½” drywall.



PUSH TWO BEZEL CORNERS TO OPEN

