



Model: WS for Coolbrium CBM-SGT-44

Family: WALL-SMART

DWG NO. 10-04-195-SPC

Model No.: 10-01-195

PRODUCT SPEC.

REVISION A

DATE 01/May/2014



Make Your Wall Smart

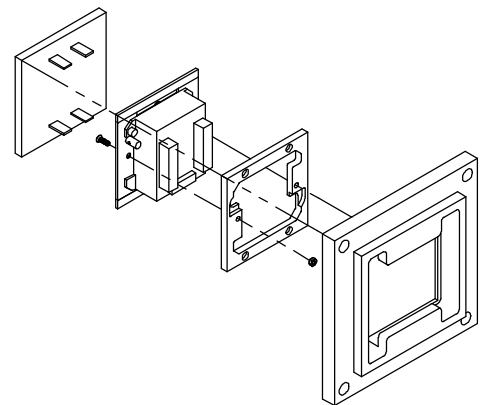
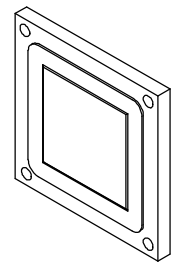
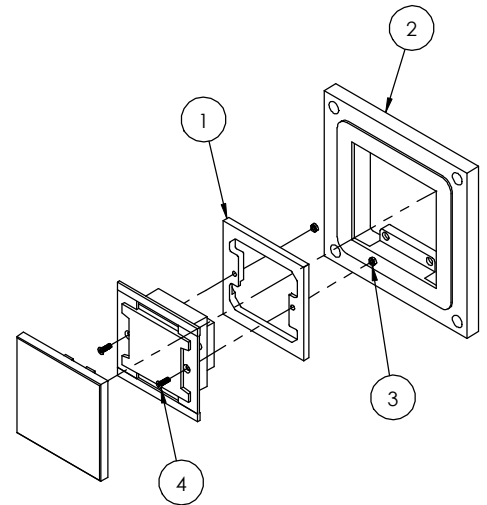
WS for Coolbrium CBM-SGT-44 - Product description:

The "WS for Coolbrium CBM-SGT-44" is an adapter for in-wall flush installation of a Mode lighting CBM-SGT-44 switch.

The "WS for Coolbrium CBM-SGT-44" securely mounts the switch while allowing easy access, insertion and removal.

Key features and benefits:

- Flush with the wall.
- Paintable with the wall paint in any color and texture.
- Allows easy insertion and removal of the switch by manual push and magnet detachment of the switch tray.
- The adapter is supplied unpainted (To be painted after installation as part of the wall).
- Designed to be installed in 1/2" drywall. Installation of the Wall-Smart adapter is straight-forward. Installation process is similar to drywall construction procedures. Before installation, read Wall-Smart installation instruction 10-04-00101-INS in <http://www.wall-smart.com/faq>
- For installation in concrete/block wall use "WS Concrete Box 147x147" P/N 10-01-114 (sold separately) according installation instruction 10-04-00103-INS in <http://www.wall-smart.com/faq>
- Designed for the use with CBM-SGT-44 switch by Mode Lighting (keypad not included).
- Adapter kit contains:
 - Wall adapter (item 2)
 - Keypad adapter (item 1)
 - (2x) M3 Screw (item 4)
 - (2x) M3 Nut (item 3)



Key properties:

- Dimensions (W/H/D): 147mm (5.8")/ 147mm (5.8")/ 22mm (0.87")
- Power Supply: None (manual adapter).
- Weight: 0.39Kg, 0.86lbs.

