



Model: WS for HDL M/P04.1 3005

Family: WALL-SMART

DWG NO. 10-04-107-SPC

Model No.: 10-01-107

PRODUCT SPEC.

REVISION A

DATE 23/June/2014



### Make Your Wall Smart

#### WS for HDL M/P04.1 3005 - Product description:

The "WS for HDL M/P04.1 3005" is an adapter for in-wall flush installation of a M/P04.1 3005 keypad.

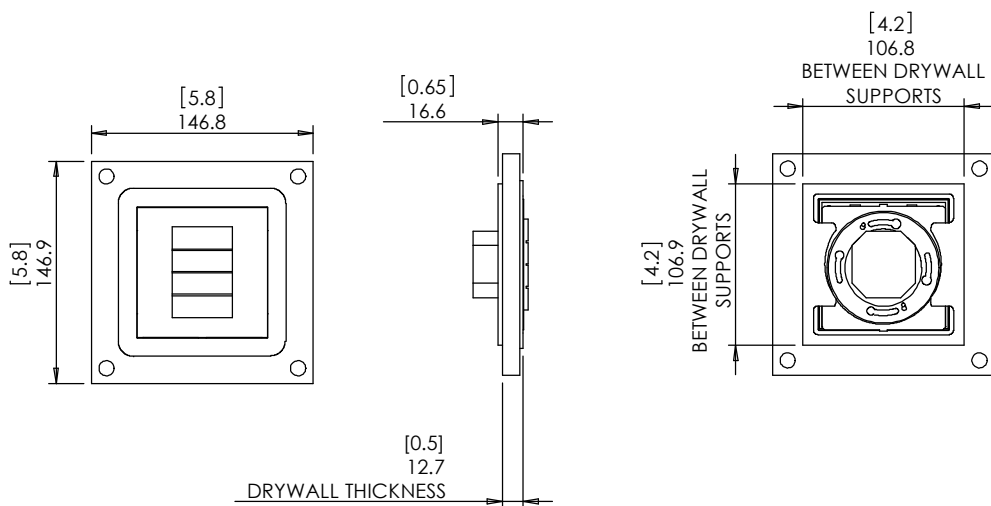
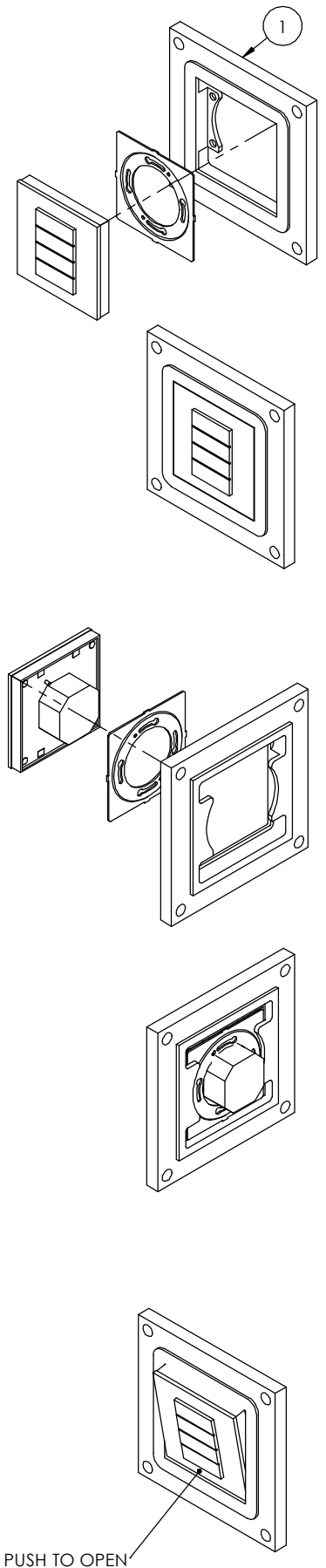
The "WS for HDL M/P04.1 3005" securely mounts the keypad while allowing easy access, insertion and operation.

#### Key features and benefits:

- Flush with the wall.
- Paintable with the wall paint in any color and texture.
- Allows easy insertion and removal of the keypad by manual push and magnet detachment of the keypad tray.
- The adapter is supplied unpainted (To be painted after installation as part of the wall).
- Designed to be installed in 1/2" drywall. Installation of the Wall-Smart adapter is straightforward. Installation process is similar to drywall construction procedures. Before installation, read Wall-Smart installation instruction 10-04-00101-INS in <http://www.wall-smart.com/faq>
- For installation in concrete/block wall use "WS Concrete Box 147x147" P/N 10-01-114 (sold separately) according installation instruction 10-04-00103-INS in <http://www.wall-smart.com/faq>
- Designed for the use with M/P04.1 3005 keypad (by HDL) (keypad not included).
- Adapter kit contains:
  1. Wall adapter;

#### Key properties:

- Dimensions (W/H/D): 146.9 mm (5.8")/ 146.8mm (5.8")/ 16.6mm (0.65")
- Power Supply: None (manual adapter).
- Weight: 0.3Kg, 0.7lbs.
- To be installed in 1/2" drywall.



Design pat. pending

by Wall-Smart

[www.wall-smart.com](http://www.wall-smart.com)

UNLESS OTHERWISE SPECIFIED:  
DIMENSIONS ARE IN MILLIMETERS

Phone: (201) 205-2056 / [info@wall-smart.com](mailto:info@wall-smart.com)

INFORMATION CONTAINED HEREIN IS PROPRIETARY AND MAY NOT BE USED,  
REPRODUCED OR COPIED WITHOUT WRITTEN CONSENT OF WALL-SMART

SHEET 1/1