



Model: WS RETROFIT Uni-INwall XS

Family: WALL-SMART

DWG NO. 083-4-982-SPC

Model No.: 083-1-982

PRODUCT SPEC.

REVISION A

DATE 3/JAN/2024



### Make Your Wall Smart

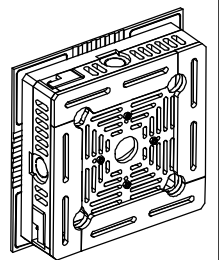
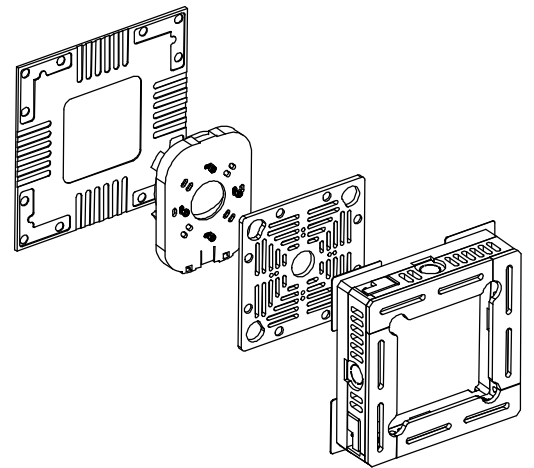
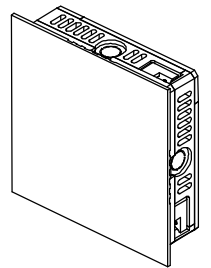
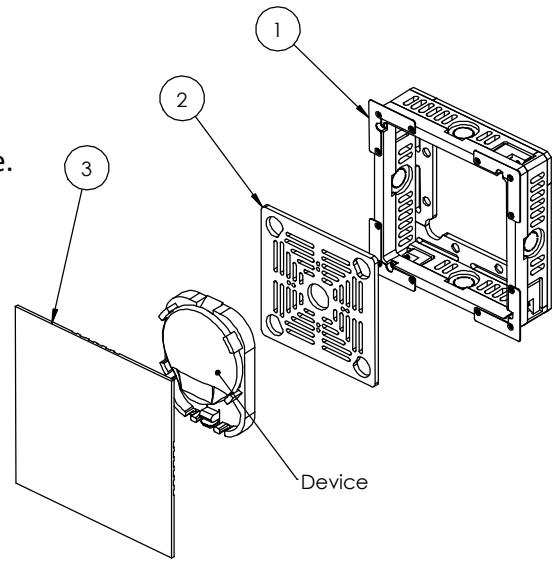
#### “WS RETROFIT Uni-INwall XS” - Product description:

The “WS RETROFIT Uni-INwall XS” is an adapter for in-wall nearly flush installation of devices measuring up to 174X174X44mm in size.

The “WS RETROFIT Uni-INwall XS” firmly mounts the devices while allowing easy insertion, removal and operation.

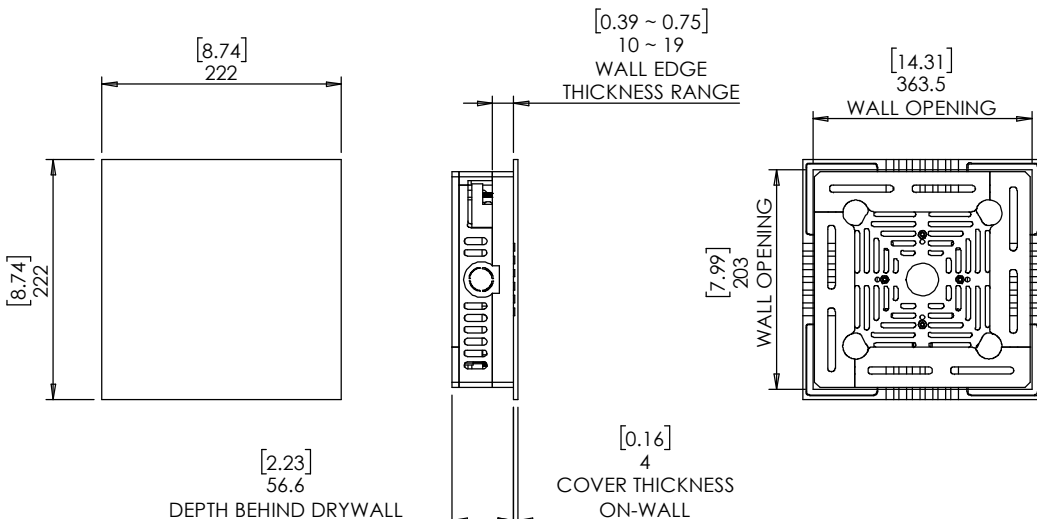
#### Key features and benefits:

- Nearly flush with the wall (4mm [0.16"] thick on-wall cover).
- Allows easy insertion and removal of the device.
- Cover attaches magnetically to the retrofit wall mount base.
- Cover is supplied painted white.
- Cover includes hidden ventilation grilles.
- Board thickness 10mm[0.39"] up to 19mm[0.75"].
- Designed for the use with devices measuring up to 174X174X44mm in size (not included).
- Inner side walls enable installation of ½" conduit connection (not included).
- Adapter kit contains:
  1. Wall adapter (x1)
  2. Device adapter (x1)
  3. Cover (X1)
 (Items 4-5 see next page)



#### Key properties:

- Dimensions: (W/H/D): 222mm (8.74")/ 222mm (8.74")/ 60.6mm (2.39")
- Weight: 0.615Kg, 1.35lbs.





Model: WS RETROFIT Uni-INwall XS

Family: WALL-SMART

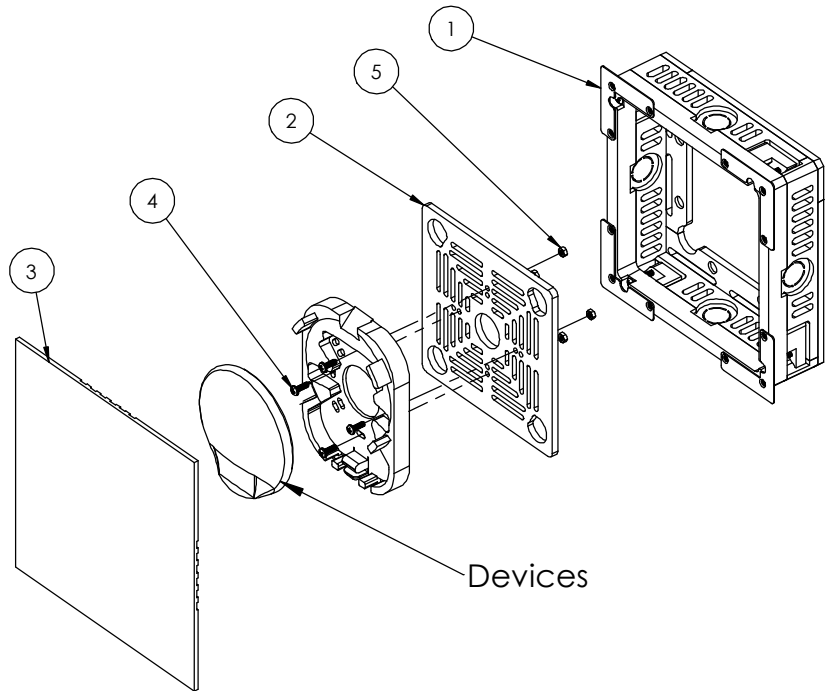
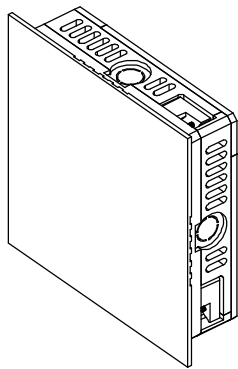
DWG NO. 083-4-982-SPC

Model No.: 083-1-982

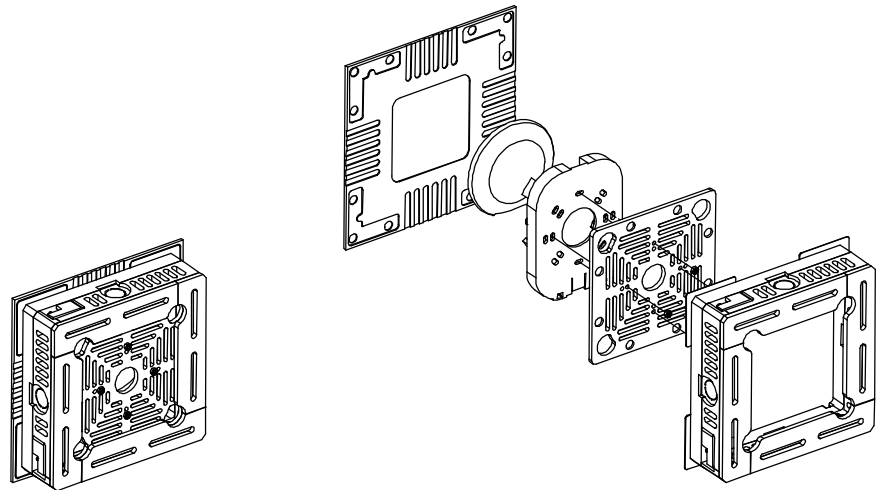
PRODUCT SPEC.

REVISION A

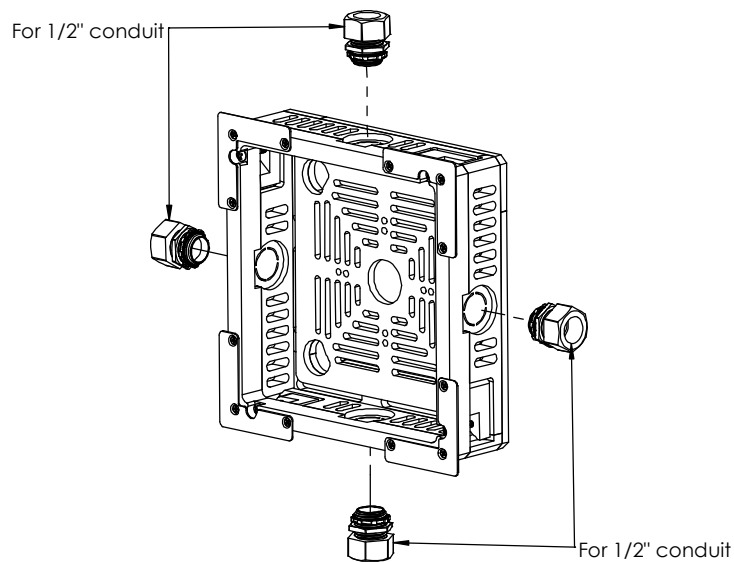
DATE 3/JAN/2024



- 1. Wall adapter (X1)
- 2. Device adapter (X1)
- 3. Cover (X1)
- 4. M4X12 CAP Screws (X4)
- 5. M4 nuts (X4)



Inner side walls enable installation of 1/2" conduit connection (not included).





Model: WS RETROFIT Uni-INwall XS

Family: WALL-SMART

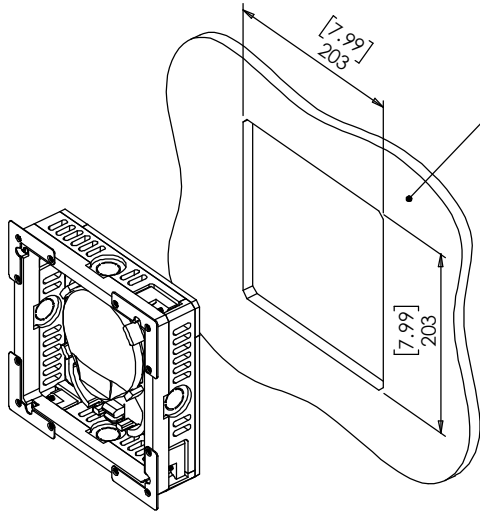
DWG NO. 083-4-982-SPC

Model No.: 083-1-982

PRODUCT SPEC.

REVISION A

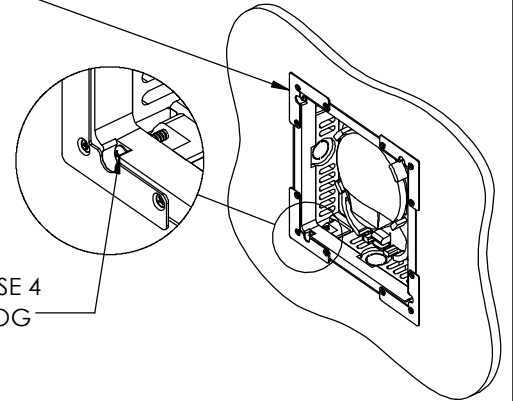
DATE 3/JAN/2024



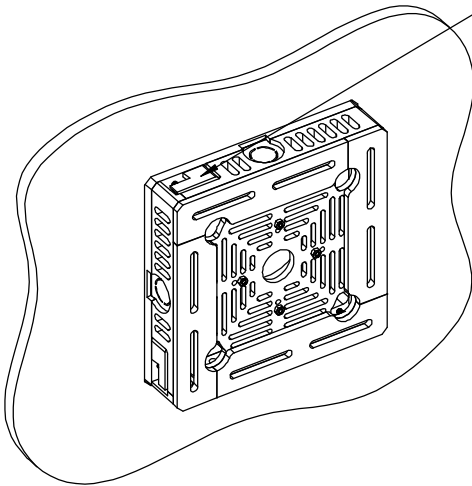
1. CUT OPENING - Board thickness: 10mm[0.39"] up to 19mm[0.75"].

2. ROUTE NECESSARY CABLES

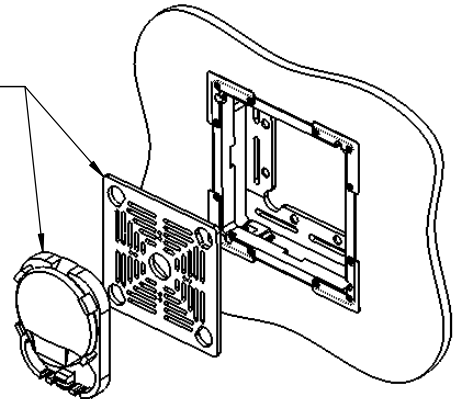
3. INSERT WALL MOUNT BASE



4. GENTLY SCREW CLOCKWISE 4 RETENTION SCREWS UNTIL DOG EARS RETAIN THE UNIT.



5. ATTACH THE DEVICE TO THE ADAPTER PLATE



6. ATTACH COVER (MAGNETICALLY)

