



Model: WS NC FOR ACCESS POINT L

Installation instruction for NETGEAR AXE7800 WAX630E

Model No.: 083-1-923

Family: WALL-SMART

DWG NO. 083-4-923-INST NETGEAR AXE7800 WAX630E

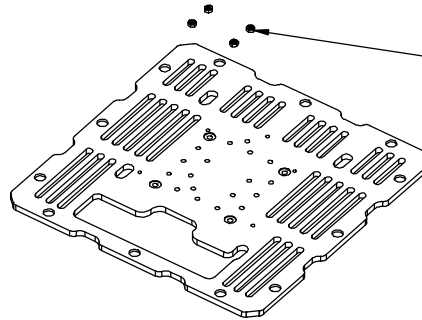
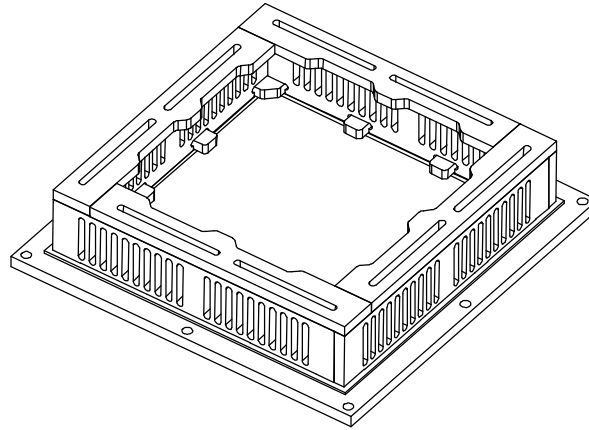
PRODUCT SPEC.

REVISION A

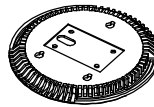
DATE 08/NOV./2022



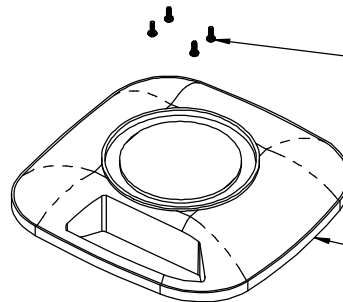
Installation instruction for NETGEAR AXE7800 WAX630E



M4 nuts X4 (item #5)



NETGEAR wall plate



M4X12 cap screws X4 (item #4)

NETGEAR AXE7800 WAX630E

