



Model: WS NC for ABB 3M TB/U6.8.1-CG Touch control

Family: WALL-SMART

DWG NO. 070-04-692-SPC



Model No.: 070-01-692

PRODUCT SPEC.

REVISION A
DATE 18/MAR/2020

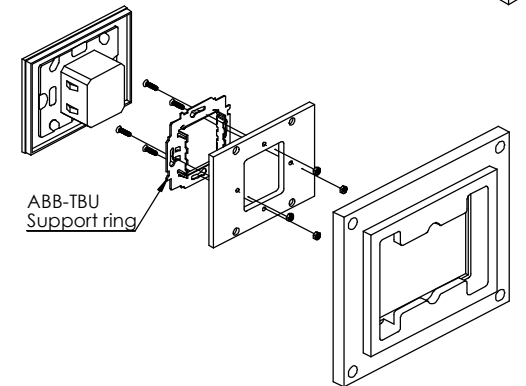
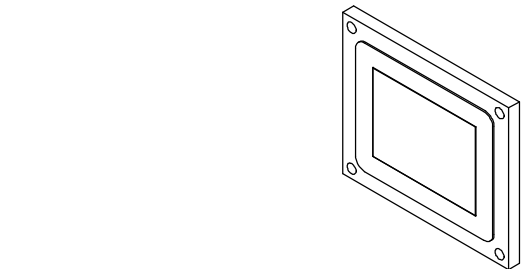
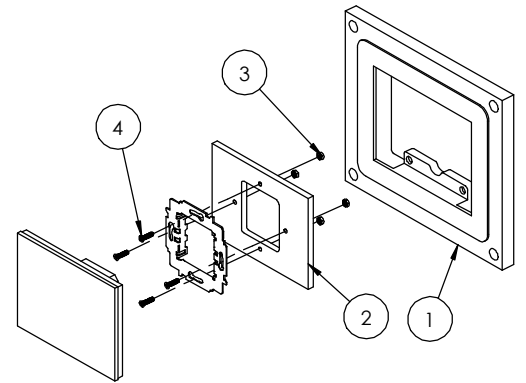
Make Your Wall Smart

WS NC for ABB 3M TBU6.8.1-CG Touch control - Product description:

The “WS NC for ABB 3M TBU6.8.1-CG Touch control” is an adapter for in-wall flush installation of an ABB 3M TBU6.8.1-CG Touch control. The “WS NC for ABB 3M TBU6.8.1-CG Touch control” firmly mounts the control element while allowing easy access, insertion and removal.

Key features and benefits:

- Flush with the wall.
- Paintable with the wall paint in any color and texture.
- Allows easy insertion and removal of the keypad by manual push.
- The adapter is supplied unpainted (To be painted after installation as part of the wall).
- Designed to be installed in ½” drywall. Installation of the Wall-Smart adapter is straight-forward. Installation process is similar to drywall construction procedures. Before installation, read Wall-Smart installation instruction 10-04-00101-INS in <http://www.wall-smart.com/faq>
- For installation in concrete/block wall use “WS CONCRETE BOX 159X188” P/N 100-1-601 (sold separately) according installation instruction 10-04-00103-INS in <http://www.wall-smart.com/faq>
- Designed for the use with ABB 3M TBU6.8.1-CG Touch control (not included).
- Adapter kit contains:
 1. (X1) Wall adapter;
 2. (X1) Touch screen adapter
 3. (X4) M3 nuts
 4. (X4) M3X12 SCREWS



Key properties:

- Dimensions (W/H/D): 186mm (7.32")/ 157mm (6.18")/ 22mm (0.87")
- Power Supply: None (manual adapter).
- Weight: 0.4Kg, 0.88lbs.
- Material: Chemically treated, Moisture resistant MDF

