



Model: WS RETROFIT FOR ARAKNIS AN-520-AP-I

Family: WALL-SMART

DWG NO. 067-4-697-SPC



Model No.: 067-1-697

PRODUCT SPEC.

REVISION A

DATE 16/MAY/2023

Make Your Wall Smart

“WS RETROFIT FOR ARAKNIS AN-520 AP-I” - Product description:

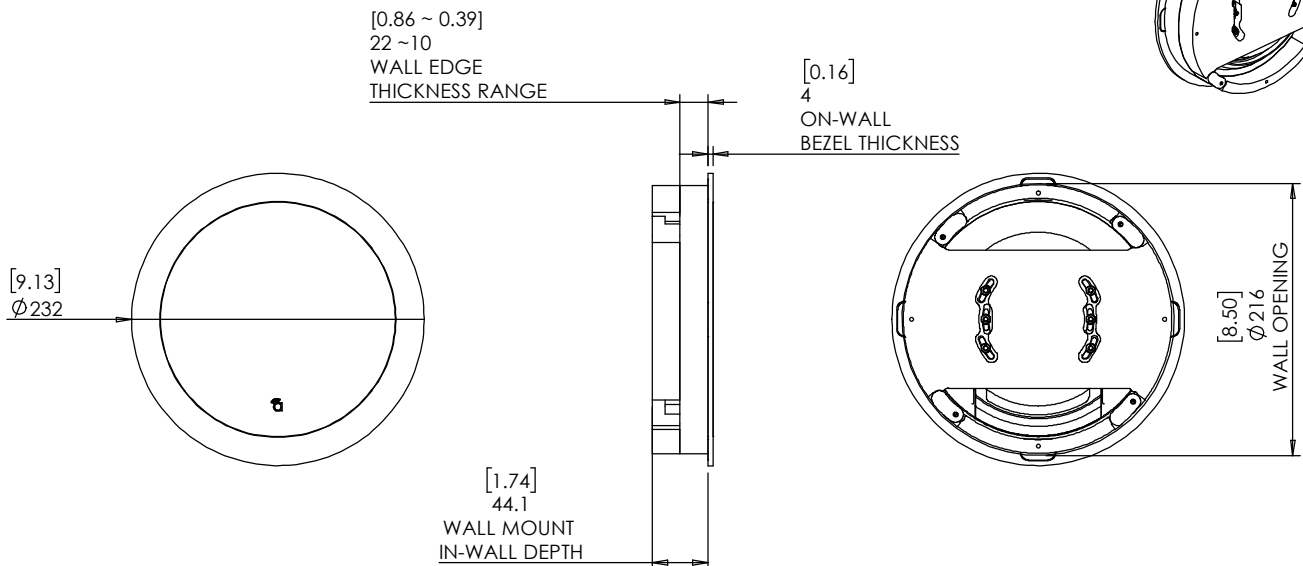
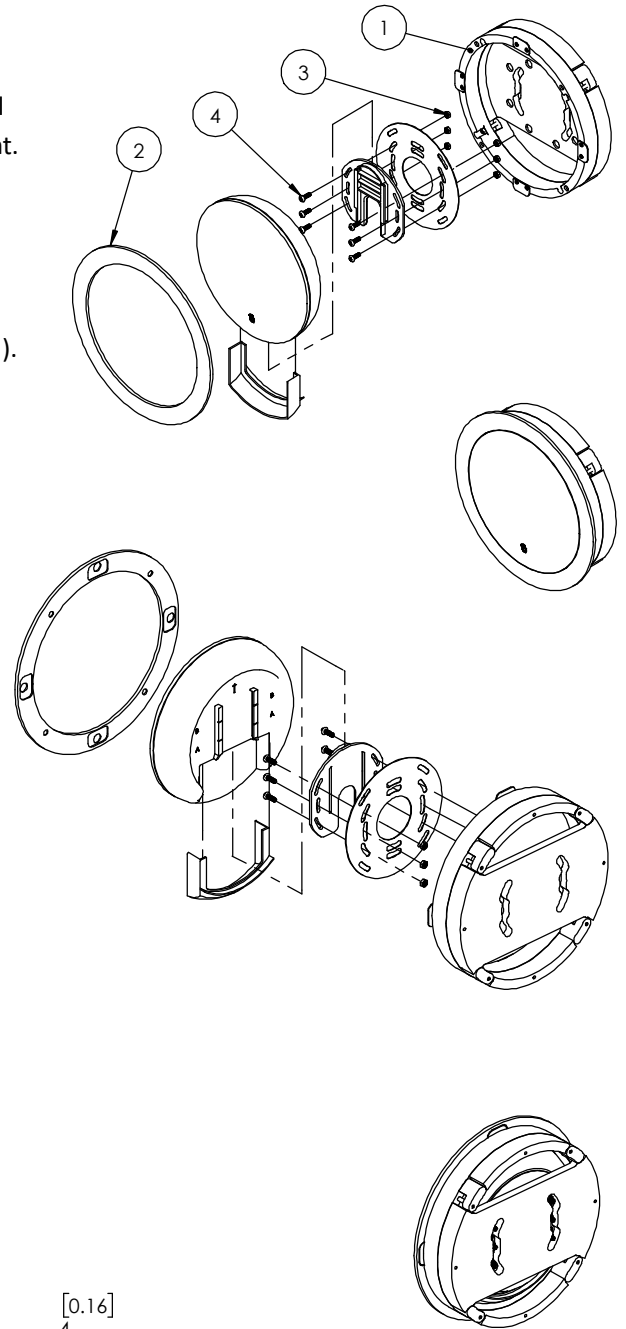
The “WS RETROFIT FOR ARAKNIS AN-520 AP-I” is an adapter for in-wall nearly flush retrofit installation of an ARAKNIS AN-520 AP-I access point. The “WS RETROFIT FOR ARAKNIS AN-520 AP-I” firmly mounts the access point while allowing easy insertion and removal.

Key features and benefits:

- Nearly flush with the wall/ceiling (4mm [0.16"] thick on-wall bezel).
- Allows easy insertion and removal of the access point.
- Wall/ceiling board thickness 10mm [0.39"] up to 22mm [0.86"].
- Bezel attaches magnetically to the retrofit wall mount base.
- The bezel is supplied painted matte white.
- Designed for the use with ARAKNIS AN-520 AP-I access point (not included).
- Adapter kit contains:
 1. (X1) Wall mount base;
 2. (X1) Bezel;
 3. (X6) M4 nuts;
 4. (X6) M4x10 Screws;

Key properties:

- Dimensions: (W/H/D): 232mm (9.13")/ 232mm (9.13")/ 48.1mm (1.89")
- Weight: 0.5Kg, 1.1lbs.
- Material: Moisture resistant MDF (compliant with TSCA Title VI)





[4.25]
TRUE R108

1. CUT OPENING - BOARD THICKNESS 10mm [0.39"]
UP TO 22mm [0.86"]
USE PAGE 3 FOR ROUTING TEMPLATE

2. ROUTE NECESSARY CABLES

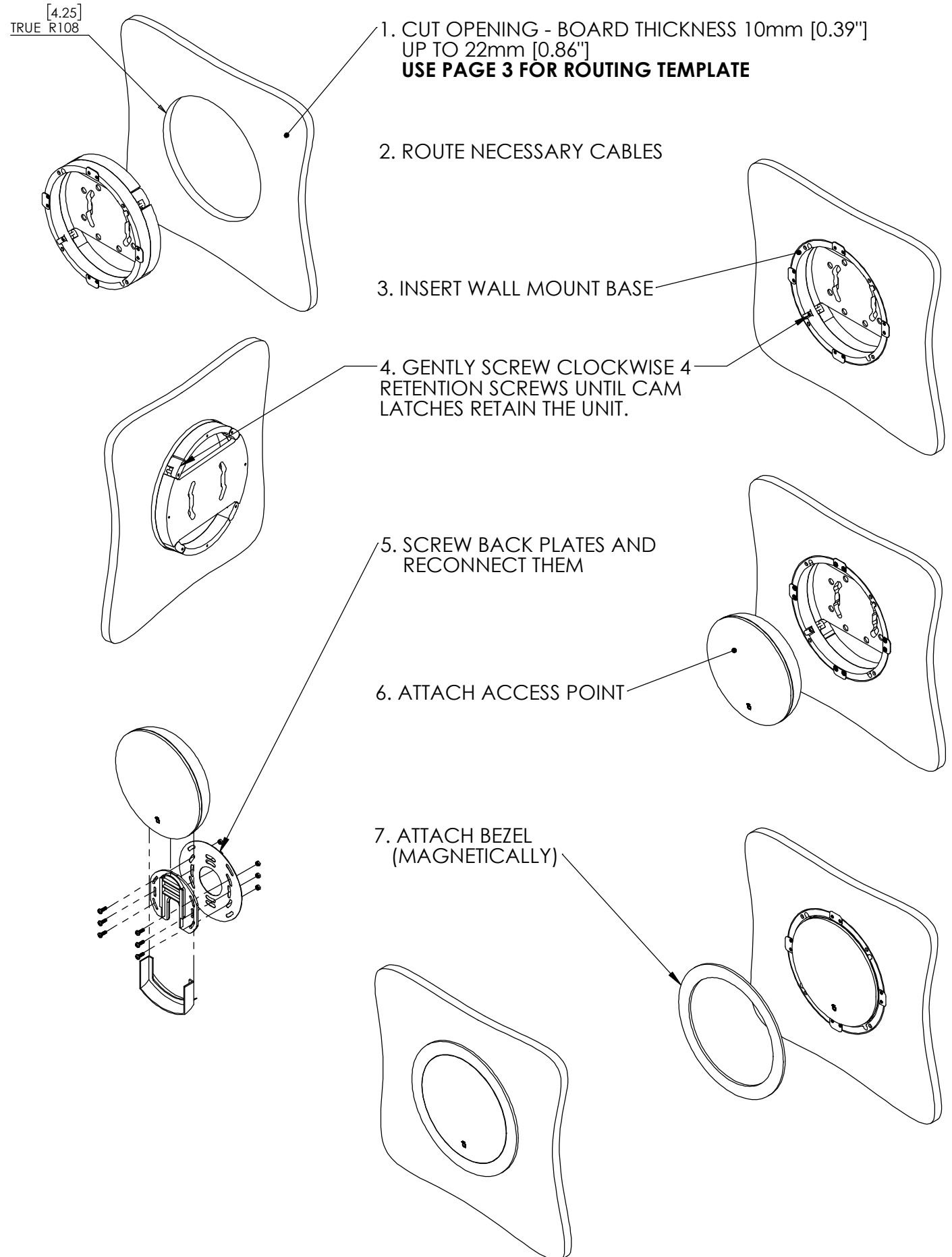
3. INSERT WALL MOUNT BASE

4. GENTLY SCREW CLOCKWISE 4
RETENTION SCREWS UNTIL CAM
LATCHES RETAIN THE UNIT.

5. SCREW BACK PLATES AND
RECONNECT THEM

6. ATTACH ACCESS POINT

7. ATTACH BEZEL
(MAGNETICALLY)





Model: WS RETROFIT FOR
ARAKNIS AN-520-AP-I

Family: WALL-SMART

DWG NO. 067-4-697-SPC



Model No.: 002-1-697

PRODUCT SPEC.

REVISION B

DATE 16/MAY/2023

