



Model: WS SB FOR VIMAR 4M
Eikon EVO Plates 21654

Family: WALL-SMART

DWG NO. 066-1-691-SPC



Model No.: 066-4-691

PRODUCT SPEC.

REVISION A

DATE 12/MAR/2020

Make Your Wall Smart

“WS SB FOR VIMAR 4M Eikon EVO Plates 21654” - Product description:

The “WS SB FOR VIMAR 4M Eikon EVO Plates 21654” is an adapter for in-wall flush installation of a VIMAR 4M Eikon EVO Plates 21654 in solid board walls.

The “WS SB FOR VIMAR 4M Eikon EVO Plates 21654” firmly mounts the keypad while allowing easy access, insertion and removal.

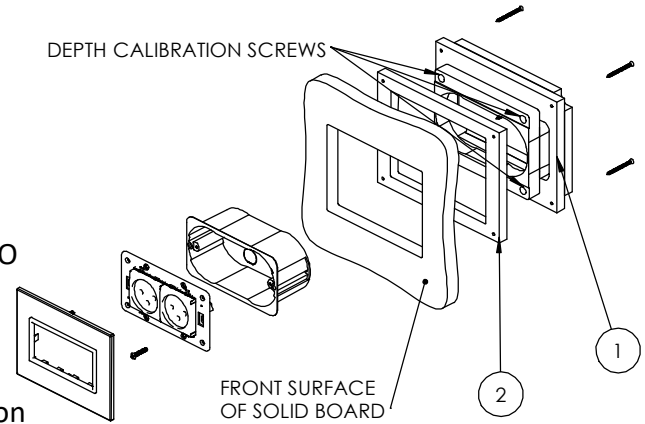
Key features and benefits:

- Allows easy insertion and removal by manual push.
- Wall mount contains depth calibration screws and spacer allowing installation in solid surface boards of 4.7 [0.18”] up to 33.4 [1.31”] thickness.
- Installation kit contain:
 1. X1 Wall adapter
 2. X1 Routing template
 3. X4 ST3x40 screws
- Designed for the use with VIMAR 4M Eikon EVO Plates 21654 (switch, face plate and accessories not included)

Key properties:

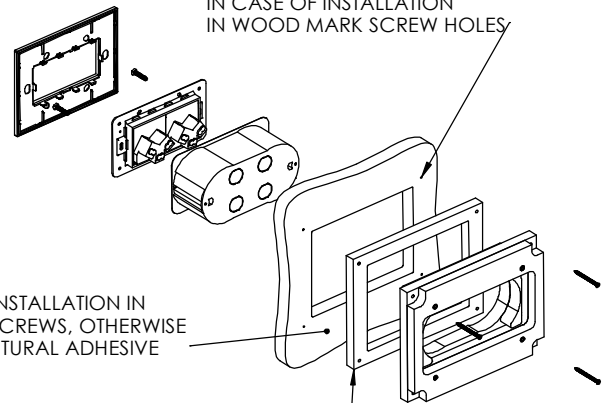
- Dimensions (W/H/D): 179.3mm (7.06”)/ 136.1mm (5.36”)/ 45.6mm (1.80”)
- Power Supply: None (manual adapter).
- Weight: 0.4Kg, 0.88lbs.
- Material: Moisture resistant MDF (compliant with TSCA Title VI)

DEPTH CALIBRATION SCREWS



FRONT SURFACE OF SOLID BOARD

IN CASE OF INSTALLATION IN WOOD MARK SCREW HOLES

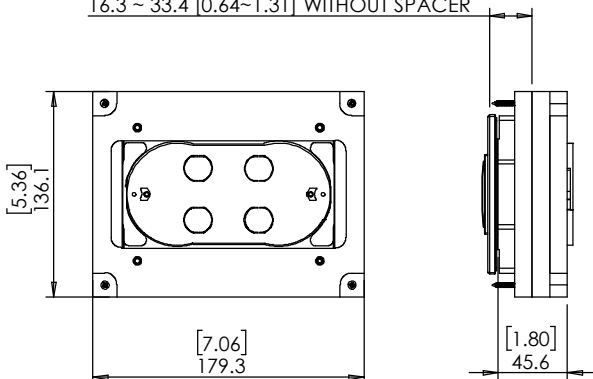


IN CASE OF INSTALLATION IN WOOD USE SCREWS, OTHERWISE APPLY STRUCTURAL ADHESIVE

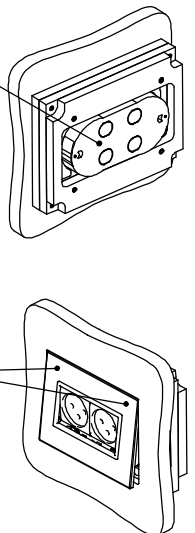
ROUTING TEMPLATE FOR INSTALLATION IN BOARDS 16.3mm TO 33.4mm THICK USE ROUTING TEMPLATE AS SPACER

2 Gang European Flush-mount box p/n V71704 by VIMAR or equivalent

SOLID BOARD THICKNESS RANGE:
4.7~ 21.7 [0.18~0.85] WITH SPACER
16.3 ~ 33.4 [0.64~1.31] WITHOUT SPACER



PUSH TO OPEN





Model: WS SB FOR VIMAR 4M
Eikon EVO Plates 21654

Family: WALL-SMART

DWG NO. 066-1-691-SPC



Model No.: 066-4-691

PRODUCT SPEC.

REVISION A

DATE 12/MAR/2020

ROUTING TEMPLATE

