



Model: WS NC FOR VIMAR 3M  
Eikon EVO Plates 21653

Family: WALL-SMART

DWG NO. 066-1-687-SPC



Model No.: 066-1-687

PRODUCT SPEC.

REVISION A

DATE 08/MAR/2020

## Make Your Wall Smart

### “WS NC FOR VIMAR 3M Eikon EVO Plates 21653” - Product description:

The “WS NC FOR VIMAR 3M Eikon EVO Plates 21653” is an adaptor for in-wall flush installation of VIMAR 3M Eikon EVO Plates 21653.

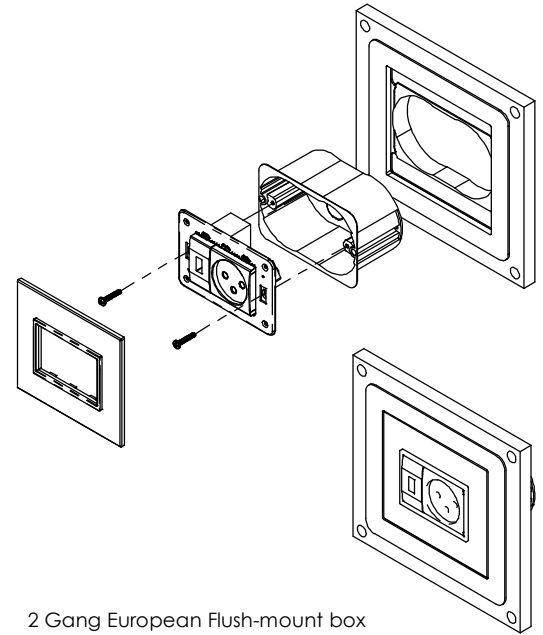
The “WS NC FOR VIMAR 3M Eikon EVO Plates 21653” securely mounts the VIMAR 3M Eikon EVO Plates 21653 while allowing easy installation and removal.

### Key features and benefits:

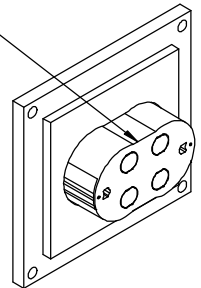
- Flush with the wall.
- Allows easy insertion and removal.
- The adaptor is supplied unpainted (To be painted after installation as part of the wall).
- Designed to be installed in ½” drywall. Installation of the Wall-Smart adaptor is straight-forward. Installation process is similar to drywall construction procedures. Before installation, read Wall-Smart installation instruction 10-04-00101-INS in <http://www.wall-smart.com/faq>
- For installation in concrete/block wall use “WS CONCRETE ADAPTER 190X178” P/N 100-1-686 (sold separately) according installation instruction 10-04-00103-INS in <http://www.wall-smart.com/faq>
- Designed for the use with VIMAR 3M Eikon EVO Plates 21653 (switch, face plate and accessories not included)
- Adapter kit contains:
  - Wall adaptor

### Key properties:

- Dimensions (W/H/D): 188mm (7.40")/ 176mm (6.93")/ 22mm (0.87") .
- Power Supply: None (manual adapter).
- Weight: 0.3Kg, 0.66lbs.
- Material: Chemically treated, moisture resistant MDF



2 Gang European Flush-mount box  
p/n V71703 by VIMAR  
or equivalent



PUSH TO REMOVE

