



Model: WS SB FOR LUTRON PALLADIOM SQUARE 3G SOCKET

Model No.: 058-1-519

Family: WALL-SMART

DWG NO. 058-4-519-SPC

PRODUCT SPEC.

REVISION A

DATE 16/NOV/2021



**Make Your Wall Smart**

**“WS SB FOR LUTRON PALLADIOM SQUARE 3G SOCKET” - Product description:**

The “WS SB FOR LUTRON PALLADIOM SQUARE 3G SOCKET” is an adapter for in-wall flush installation of a LUTRON Palladiom square style 3 column faceplate and accessories in solid board walls.

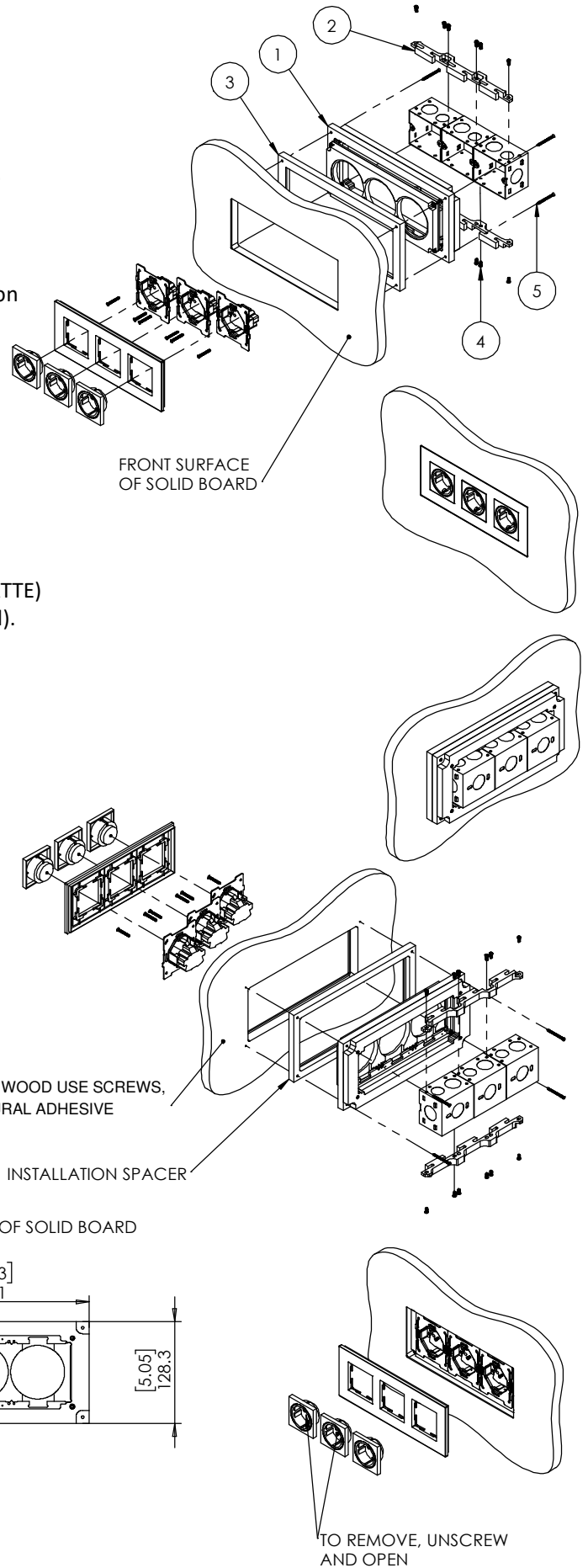
The “WS SB FOR LUTRON PALLADIOM SQUARE 3G SOCKET” firmly mounts the faceplate and accessories allowing easy access, insertion and operation.

**Key features and benefits:**

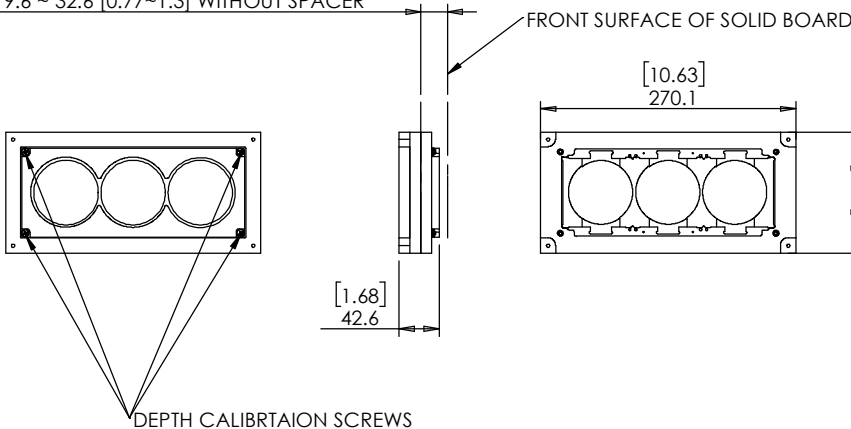
- Flush with the wall.
- Includes depth calibration mechanism and a spacer.
- Allowing installation in wide range of board thicknesses:  
With spacer: 8.0mm ~ 21.0mm [0.32" ~ 0.83"] thick.  
Without spacer 19.6mm ~ 32.6mm [0.77" ~ 1.3"] thick.
- Designed for the use with LWT-S-AAA-XXX (METAL/GLASS/MATTE) faceplate (by Lutron©) (faceplate and accessories not included).
- Adapter kit contains:
  1. Wall adapter (x1)
  2. GB/T 17466.1 back box adapter (x2)
  3. Installation spacer (x1)
  4. KA3.5X8 Screws (x12)
  5. ST3x40 screws (x4)

**Key properties:**

- Dimensions (W/H/D): 270.1mm (10.63")/ 128.3mm (5.05")/ 42.6mm (1.68")
- Power Supply: None (manual adapter).
- Weight: 0.5Kg, 1.1lbs.
- Material: Moisture resistant MDF.



SOLID BOARD THICKNESS RANGE:  
8.0 ~ 21.0 [0.32~0.83] WITH SPACER  
19.6 ~ 32.6 [0.77~1.3] WITHOUT SPACER





Model: WS SB FOR LUTRON PALLADIOM SQUARE 3G SOCKET

Model No.: 058-1-519

Family: WALL-SMART

DWG NO. 058-4-519-SPC

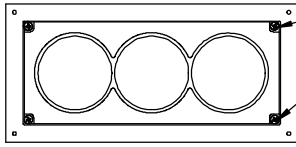
PRODUCT SPEC.

REVISION A

DATE 16/NOV/2021



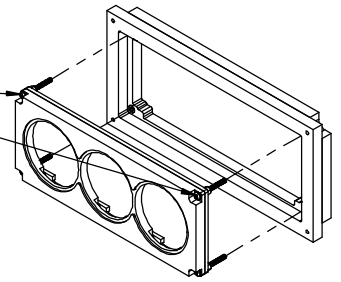
**BACK BOX INSTALLTION INSTRUCTIONS:**



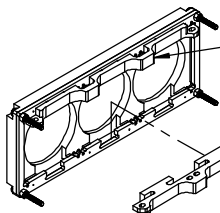
1. GRADUALLY UNSCREW 4 SCREWS AND REMOVE INTERNAL PLATFORM

2. INSTALL BACK BOX AS SHOWN BELOW

3. GRADUALLY SCREW 4 SCREWS AND INSERT INTERNAL PLATFORM.

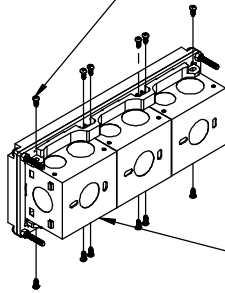


**INSTALLTION WITH 3X GB/T 17466.1 BACK BOX**

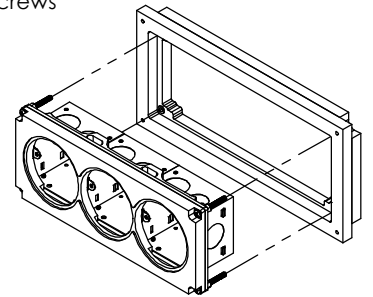


1. Insert the backbox adapters in to the wall adpater as shown

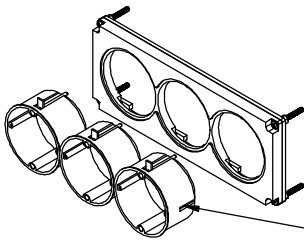
2. Position backbox and screw in 12xKA3.5X8 screws



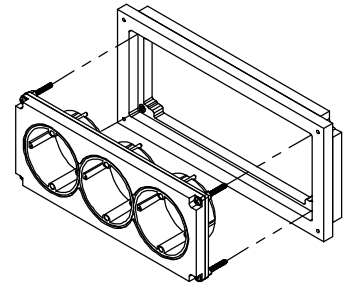
3X GB/T 17466.1 BACK BOX(Not included)



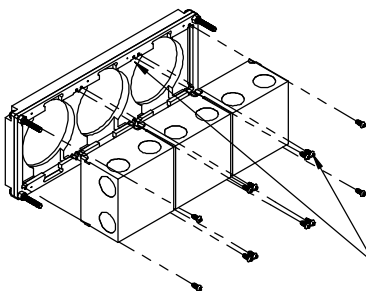
**INSTALLTION WITH 3X 1GANG JUNCTION BOX FOR HOLE Ø68mm (DIN 49073-1)**



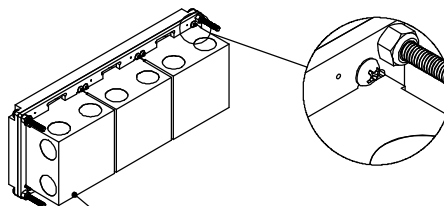
3X 1gang junction box for hole Ø68mm  
Dimensions to DIN 49073-1 (Not included)



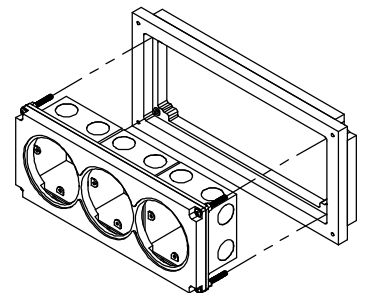
**INSTALLTION WITH BS4662 3X 1GANG BACK BOX**

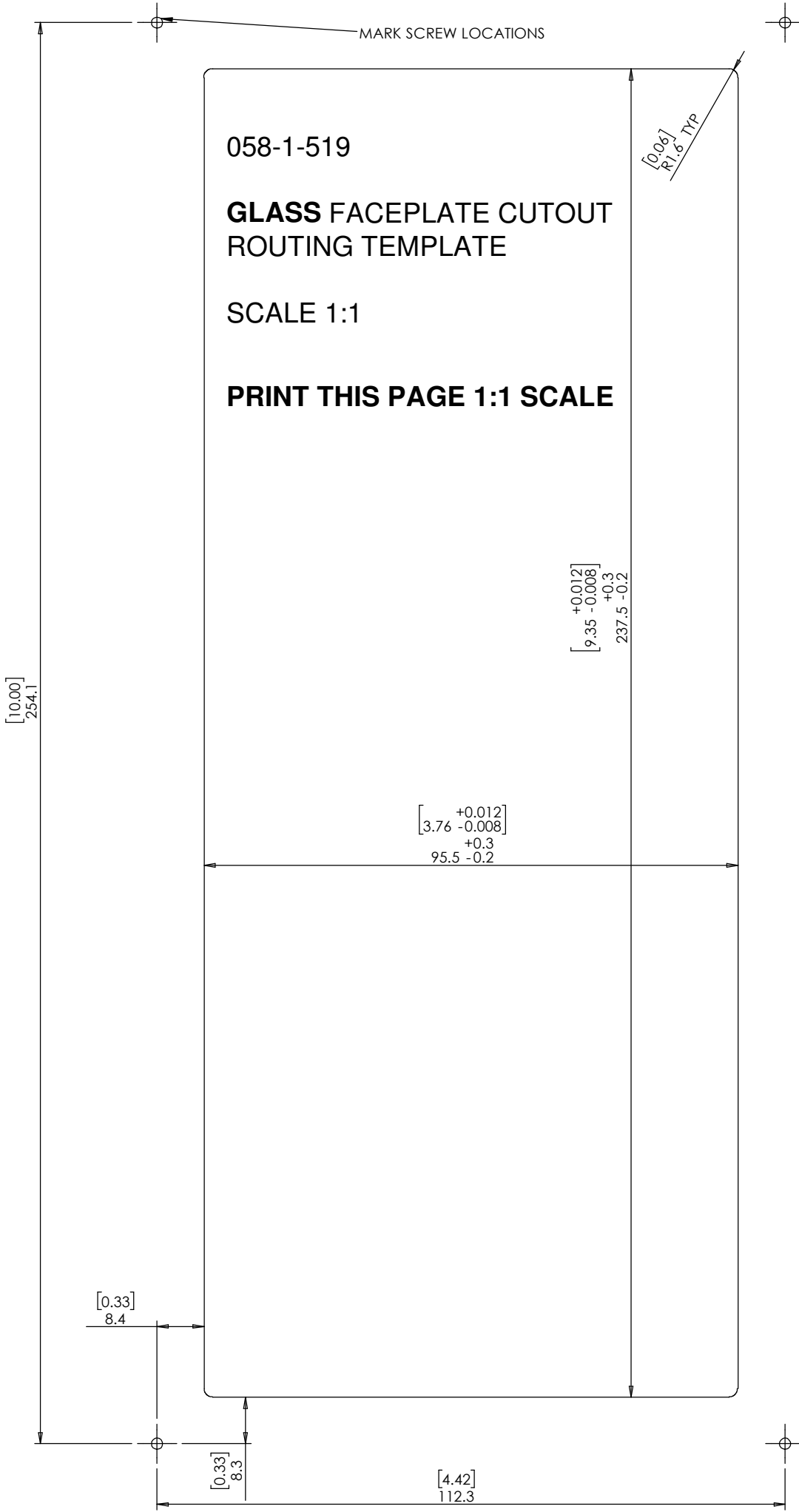


KA3.5X12 Screws



3X 1gang BS4662 back box (Not included)





MARK SCREW LOCATIONS

[10.00]  
254.1

058-1-519

**MATTE FACEPLATE CUTOUT  
ROUTING TEMPLATE**

SCALE 1:1

**PRINT THIS PAGE 1:1 SCALE**

[0.06]  
R1.5 TYP

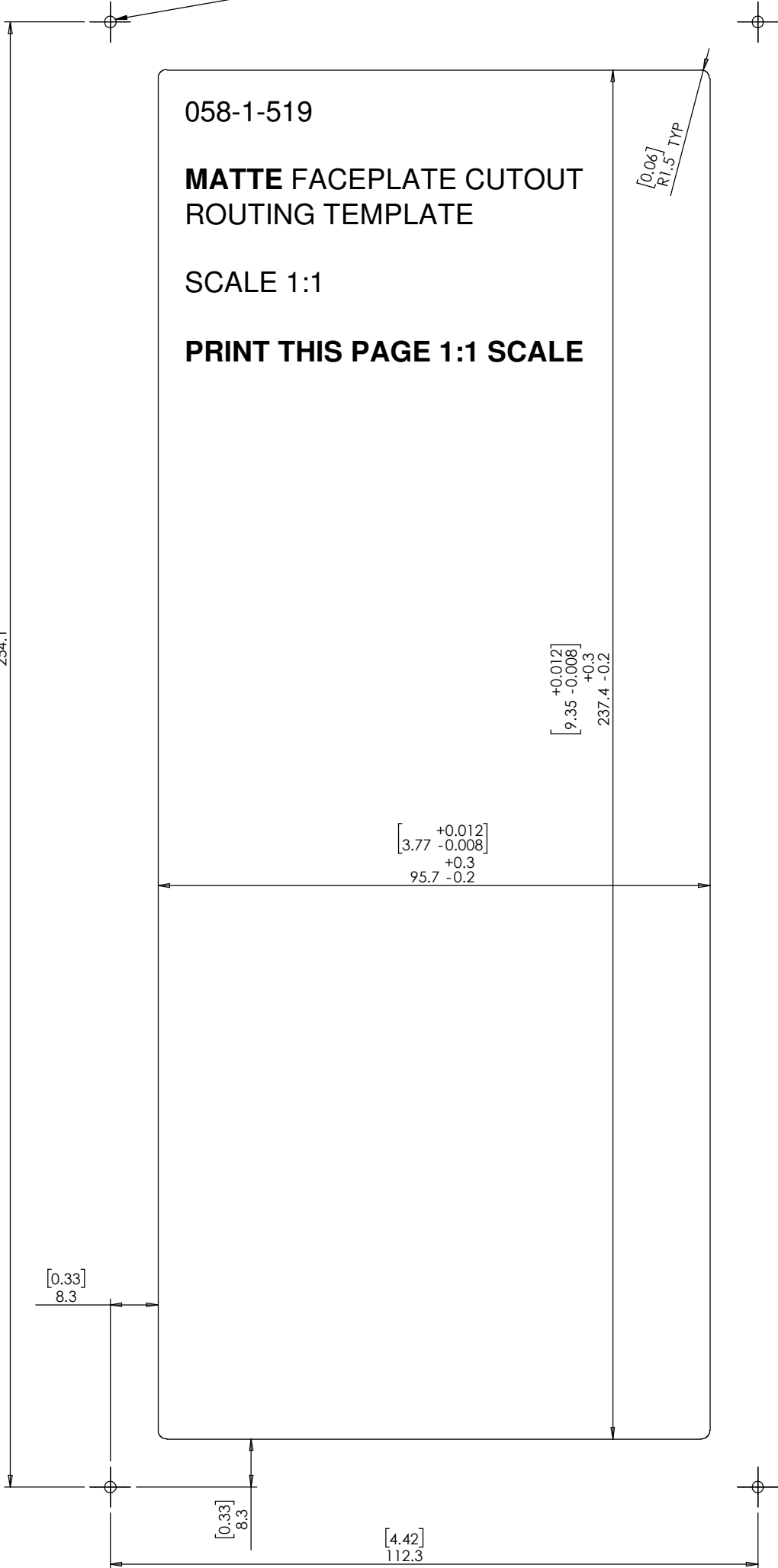
[+0.012]  
[9.35 -0.008]  
+0.3  
237.4 -0.2

[+0.012]  
[3.77 -0.008]  
+0.3  
95.7 -0.2

[0.33]  
8.3

[0.33]  
8.3

[4.42]  
112.3



MARK SCREW LOCATIONS

