



Model: WS RF FOR LUTRON Q-TOUCH5

Model No.: 058-4-401

Family: WALL-SMART

DWG NO. 058-4-401-SPC

PRODUCT SPEC.

REVISION A

DATE 11/AUG/2021



Make Your Wall Smart

“WS RF FOR LUTRON Q-TOUCH5” - Product description:

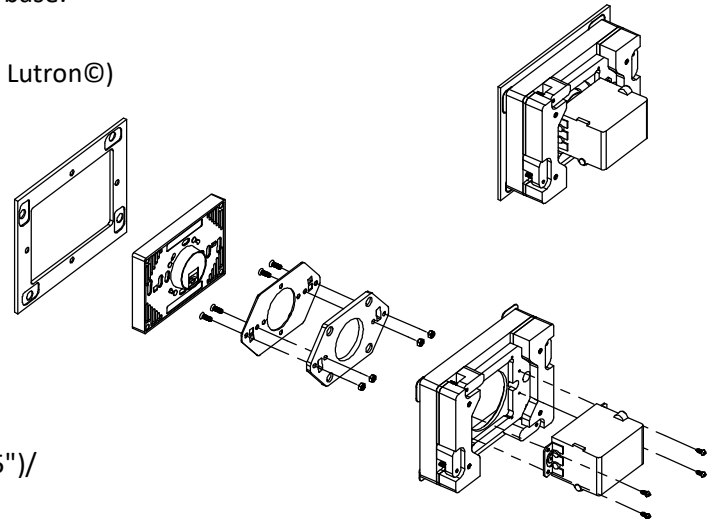
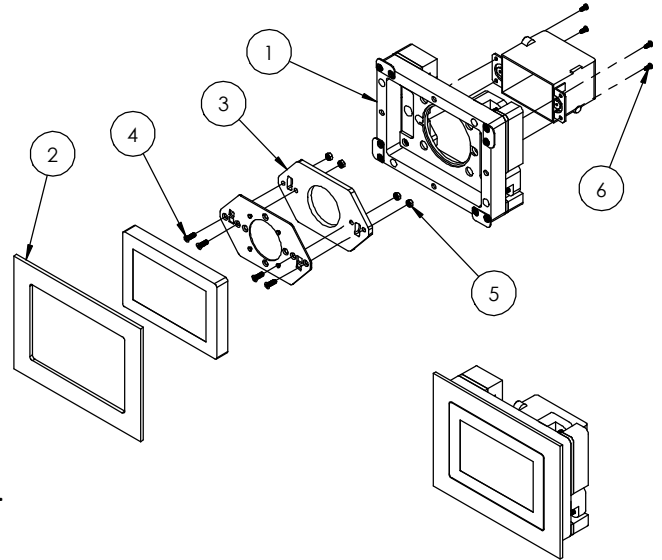
The “WS RF FOR LUTRON Q-TOUCH5” is an adapter for in-wall nearly flush retrofit installation of a LUTRON Q-TOUCH5 touch screen.

The “WS RF FOR LUTRON Q-TOUCH5” firmly mounts the screen while allowing easy insertion, removal and operation.

Key features and benefits:

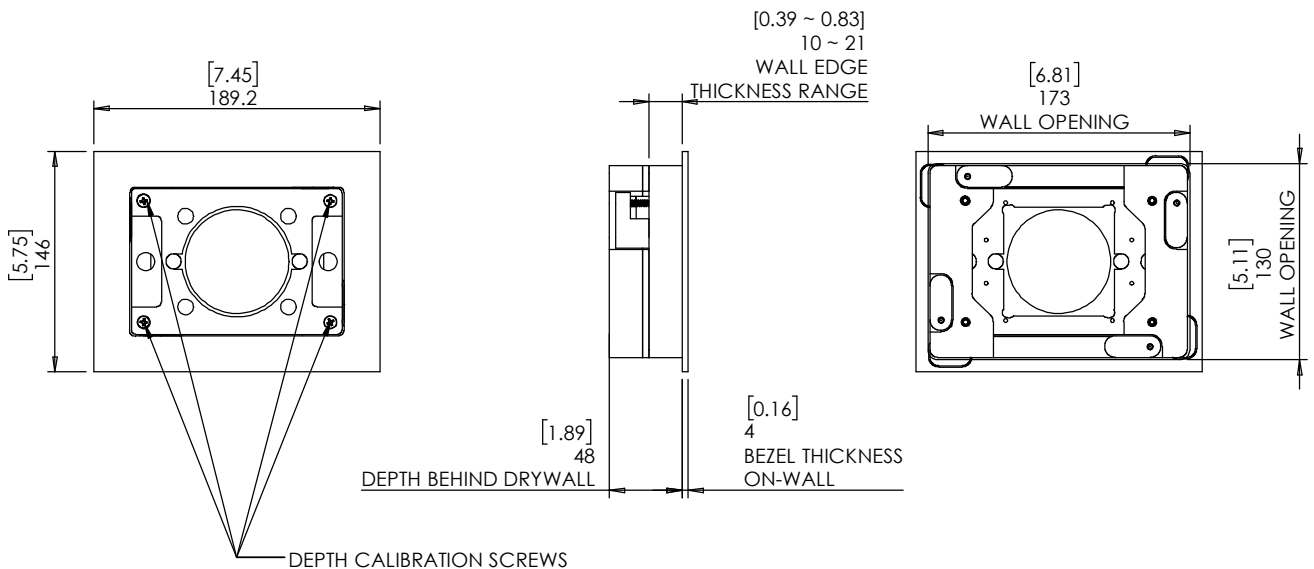
- Nearly flush with the wall (4mm [0.16"] thick on-wall bezel).
- Allows easy insertion and removal of the screen.
- Wall mount contains depth calibration mechanism.
- Bezel attaches magnetically to the retrofit wall mount base.
- Board thickness 10mm[0.39"] up to 21mm[0.83"].
- Designed for the use with Q-TOUCH5 touch screen (by Lutron©) (not included).
- Adapter kit contains:

1. Wall adapter (x1)
2. Bezel (x1)
3. Screen adapter (x1)
4. CS M4x12 Screws (x4)
5. M4 Nuts (x4)
6. KA3.5X8 Screws (x4)



Key properties:

- Dimensions: (W/H/D): 189.2mm (7.45")/ 146mm (5.75")/ 48mm (1.89")
- Weight: 0.4Kg, 0.88lbs.
- Material: Moisture resistant MDF (compliant with TSCA Title VI)





Model: WS RF FOR LUTRON Q-TOUCH5

Family: WALL-SMART

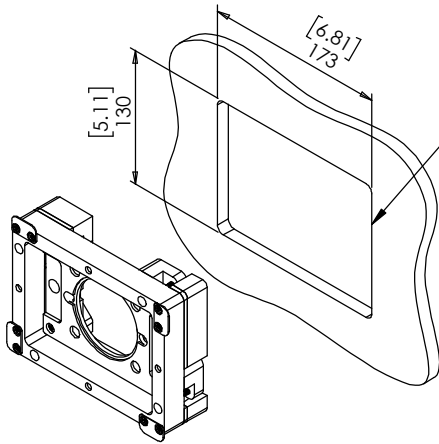
DWG NO. 058-4-401-SPC

Model No.: 058-4-401

PRODUCT SPEC.

REVISION A

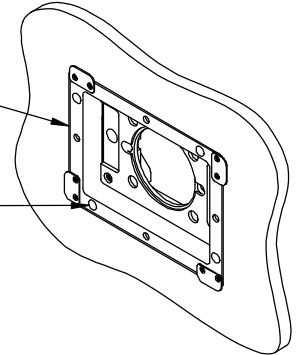
DATE 11/AUG/2021



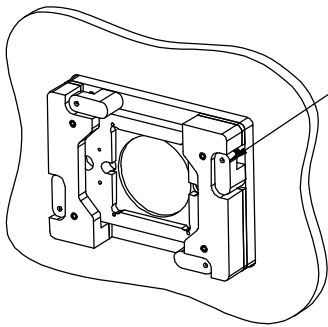
1. CUT OPENING - BOARD THICKNESS 10mm [0.39"] UP TO 21mm [0.83"] (FOR BOARDS UP TO 32mm [1.25"] THICK, REINSTALL DOG EARS UPSIDE DOWN.

2. ROUTE NECESSARY CABLES

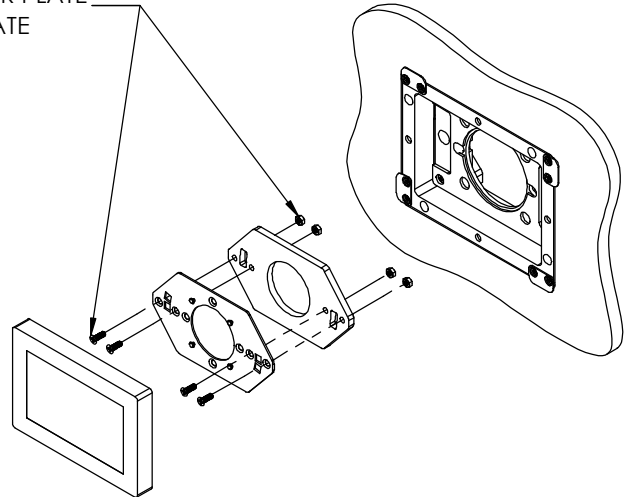
3. INSERT WALL MOUNT BASE



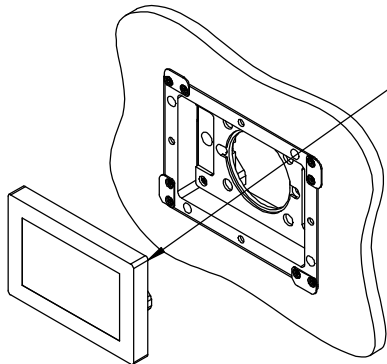
4. GENTLY SCREW CLOCKWISE 4 RETENTION SCREWS UNTIL DOG EARS RETAIN THE UNIT



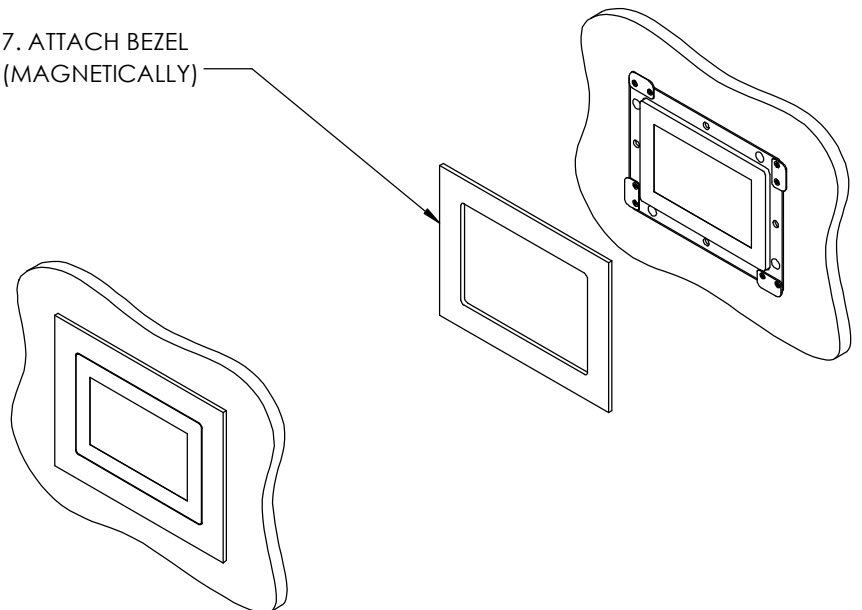
5. CONNECT ADAPTER PLATE TO SCREEN BACK PLATE



6. INSERT SCREEN



7. ATTACH BEZEL (MAGNETICALLY)





Model: WS RF FOR LUTRON Q-TOUCH5

Model No.: 058-1-401

Family: WALL-SMART

DWG NO. 058-4-401-SPC

PRODUCT SPEC.

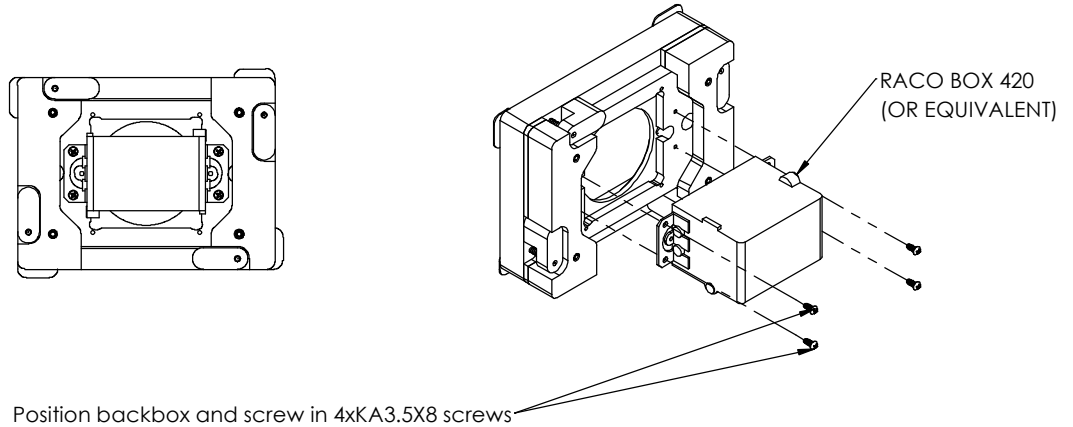
REVISION A

DATE 11/AUG/2021

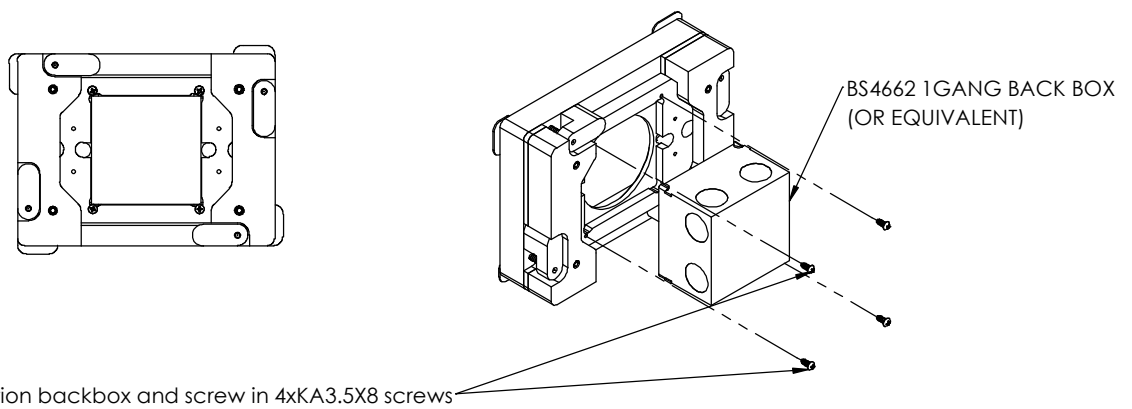


BACK BOX INSTALLATION IS USUALLY NOT REQUIRED IN MOST COUNTRIES AS THIS IS A LOW VOLTAGE DEVICE. IN CASE LOCAL ELECTRIC CODE REQUIRES ONE, FOLLOW INSTRUCTIONS BELOW.

INSTALLTION WITH RACO BOX 420



INSTALLTION WITH BS4662 1GANG BACK BOX (UK Square Backbox)



INSTALLTION WITH JUNCTION BOX FOR HOLE Ø68mm (DIN 49073-1) (EU Round Backbox)

