



Model: WS RETROFIT FOR SAMSUNG Galaxy Tab S8 - BLACK / WHITE / UNPAINTED

Family: WALL-SMART

DWG NO. 049-4-959-SPC



Model No.: 049-1-959-BL/-WH/-WO

PRODUCT SPEC.

REVISION A

DATE 20/JULY/2023

Make Your Wall Smart

“WS RETROFIT FOR SAMSUNG GALAXY TAB S8” - Product description:

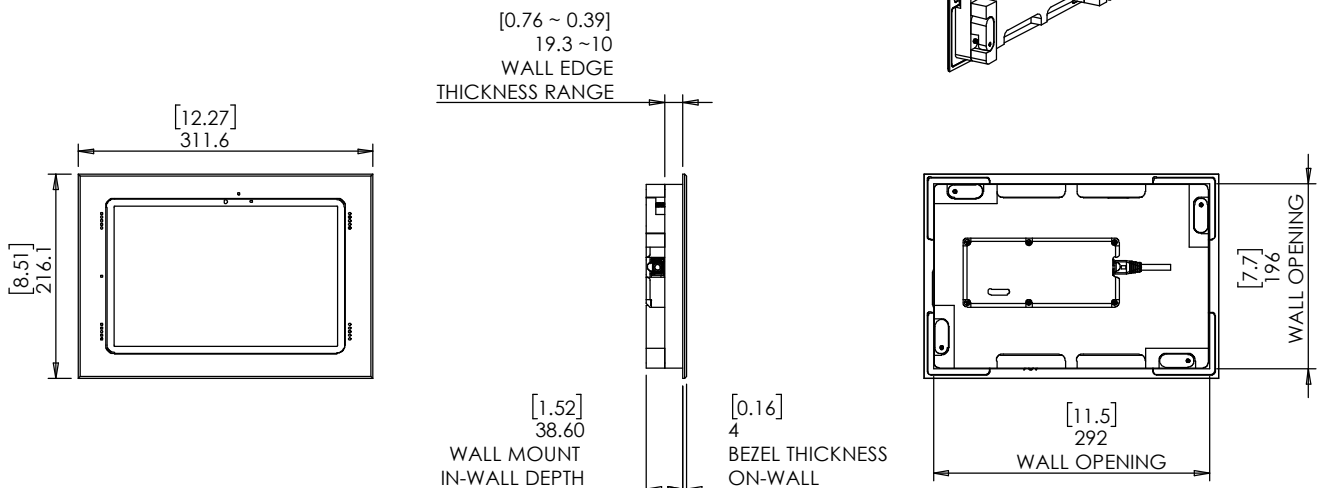
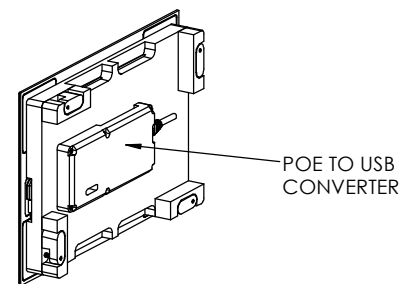
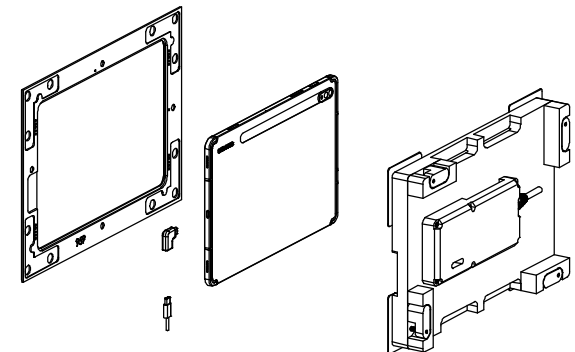
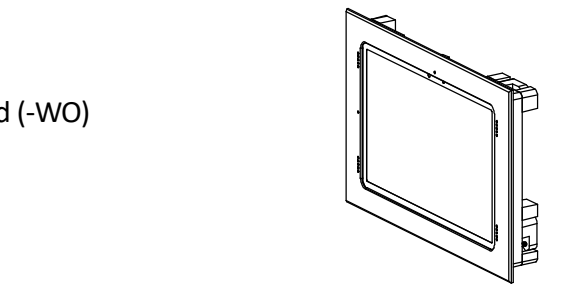
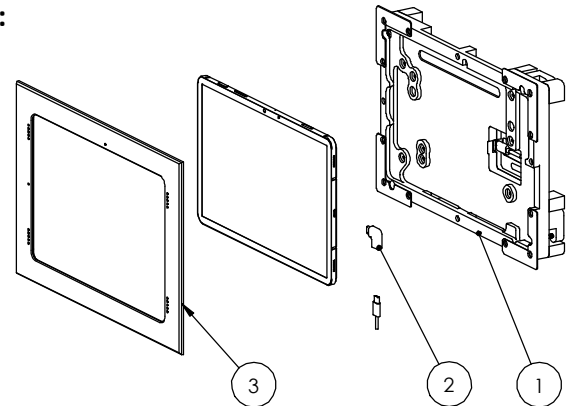
The “WS RETROFIT FOR SAMSUNG GALAXY TAB S8” is an adapter for in-wall nearly flush retrofit installation of SAMSUNG Galaxy Tablet S8”. The “WS RETROFIT FOR SAMSUNG GALAXY TAB S8” firmly mounts the tablet while allowing easy insertion, removal and operation.

Key features and benefits:

- Nearly flush with the wall (4mm [0.16”] thick on-wall bezel).
- Wall mount may be mounted in any orientation.
- Designed for the use with Tablet S8 (by SAMSUNG) (tablet is not included).
- The bezel is supplied painted black (-BL), white (-WH) or unpainted (-WO)
- Adapter kit contains:
 1. (X1) Wall adapter;
 2. (X1) Bezel;
 3. (X1) USB-C / USB-C 90deg adaptor;

Key properties:

- Dimensions: (W/H/D): 311.6mm (12.27”)/ 216.1mm (8.51”)/ 42.6mm (1.68”)
- Power Supply: Wall mount includes POE to USB-C converter. The installer should connect the wall mount to an IEEE 802.3at POE+ power source via CAT6 cable and RJ45 connector. (Please verify the POE+ power source can supply 25.5W)
- Weight: 2.3Kg, 5.06lbs.
- Material: Moisture resistant MDF (compliant with TSCA Title VI)





Model: WS RETROFIT FOR SAMSUNG Galaxy Tab S8 - BLACK / WHITE / UNPAINTED

Family: WALL-SMART

DWG NO. 049-4-959-SPC

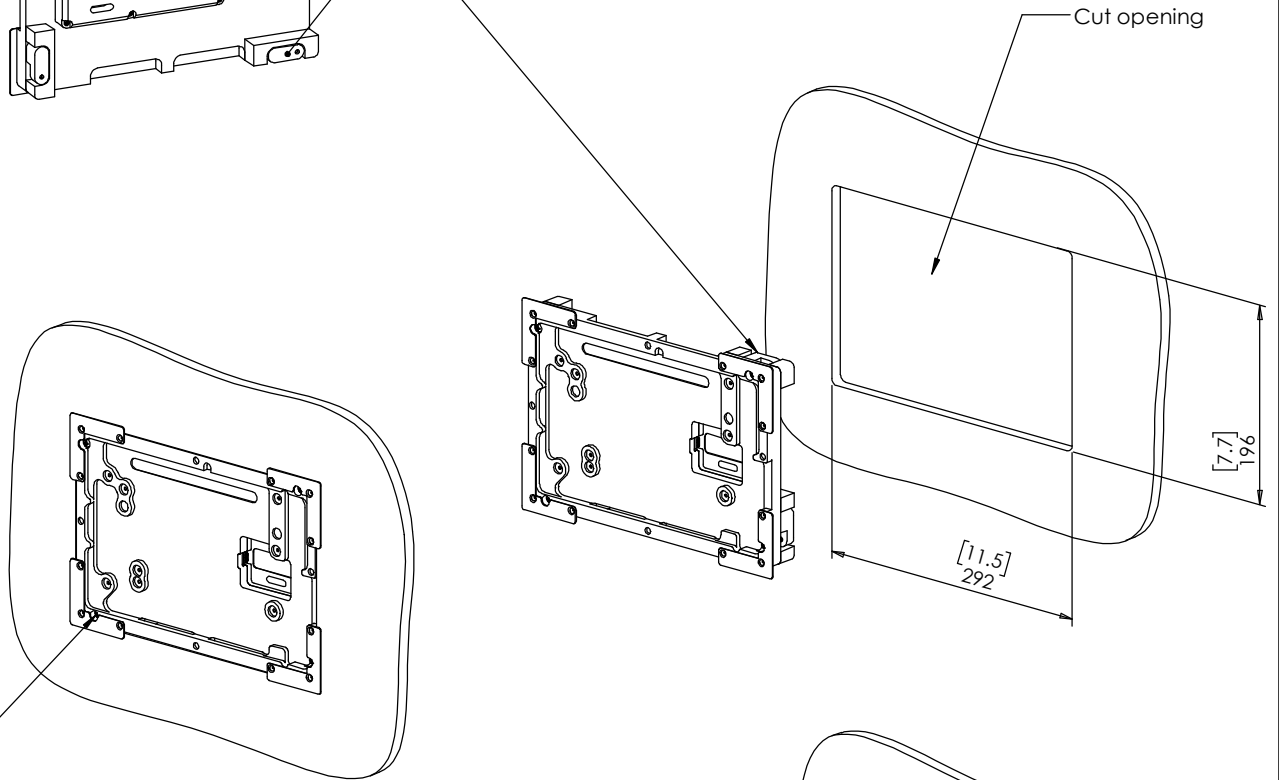
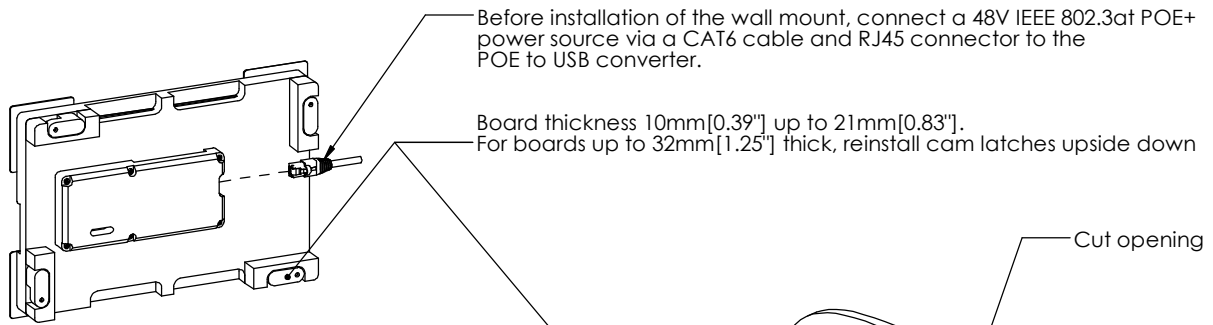


Model No.: 049-1-959-BL/-WH/-WO

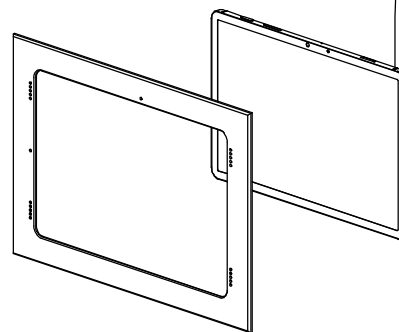
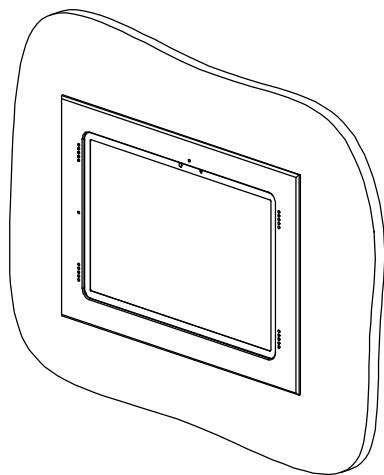
PRODUCT SPEC.

REVISION A

DATE 20/JULY/2023



Insert wall mount and gently screw clockwise 4 retention screws until the cam latches retain the unit.



Connect USB-C/USB-C 90° adaptor and the iPad USC-C cable to the iPad

Connect iPad USB-C cable to POE to USB converter

Hide excess cable in the cable-slit