



Model: WS NC FOR SAMSUNG Galaxy Tab S8 - WITH GRILLS

Family: WALL-SMART

DWG NO. 049-4-957-WG-SPC



Model No.: 049-1-957-WG

PRODUCT SPEC.

REVISION A

DATE 20/JULY/2023

Make Your Wall Smart

“WS NC FOR SAMSUNG GALAXY TAB S8 WITH GRILLS” –Product description:

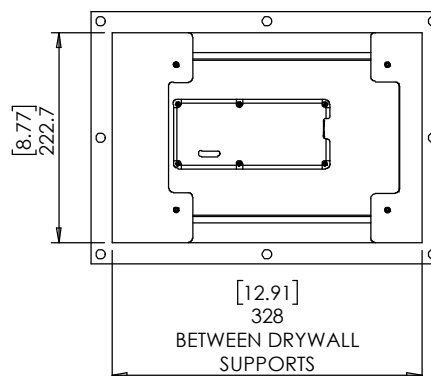
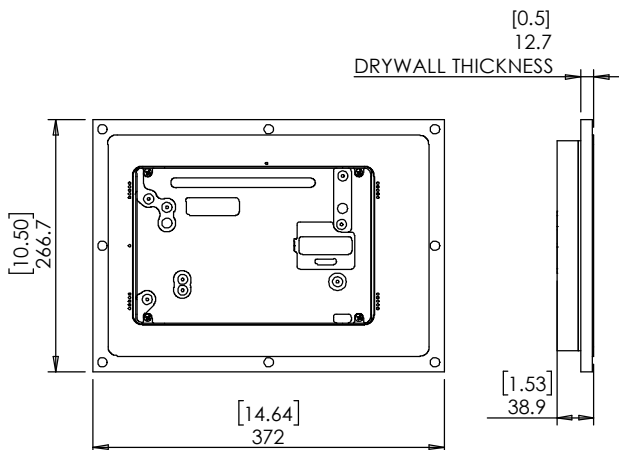
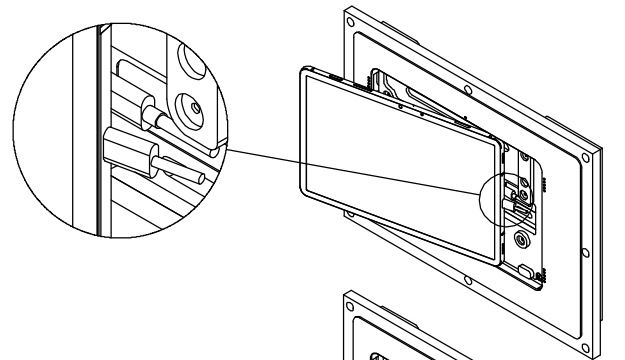
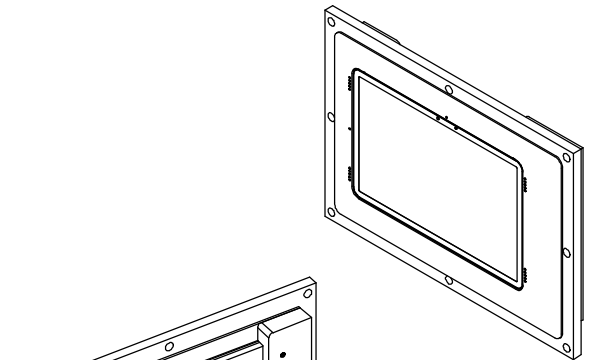
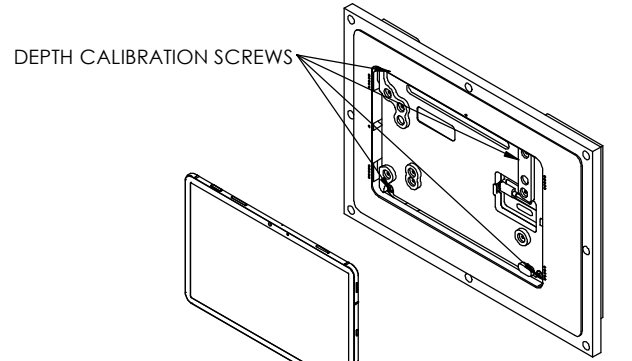
The “WS NC FOR SAMSUNG GALAXY TAB S8 WITH GRILLS” is an adapter for in-wall flush installation of an SAMSUNG Galaxy Tablet S8. The “WS NC FOR SAMSUNG GALAXY TAB S8 WITH GRILLS” firmly mounts the tablet S8 while allowing easy insertion, removal and operation.

Key features and benefits:

- Tablet is recessed 1.4mm [0.055"] into the wall surface.
- Wall mount may be mounted in any orientation.
- Includes depth calibration mechanism.
- The wall mount contains audio grills.
- Paintable with the wall paint in any color and texture.
- Allows easy insertion and removal of the tablet.
- The adapter is supplied unpainted (To be painted after installation as part of the wall).
- Designed to be installed in ½" drywall. Installation of the Wall-Smart adapter is straight-forward. Installation process is similar to drywall construction procedures.
- For installation in concrete/block wall use “CONCRETE BOX 373X268” P/N 100-1-682 (sold separately) according installation instruction 10-04-00103-INS in <http://www.wall-smart.com/faq>
- Designed for the use with tablet S8 (by SAMSUNG) (tablet is not included).
- Adapter kit contains:
 1. Wall adapter (X1)

Key properties:

- Dimensions: (W/H/D): 372mm (14.64")/ 266.7mm (10.5")/ 38.9mm (1.53")
- Power Supply: Wall mount includes POE to USB converter. The installer should connect the wall mount to an IEEE 802.3at POE+ power source via CAT6 cable and RJ45 connector. (Please verify the power source can supply up to 25.5W)
- Weight: 1.3Kg, 2.86lbs.
- Material: Moisture resistant MDF (compliant with TSCA Title VI)
- To be installed in ½" drywall (for installation in 5/8" drywall use 1/8" shim pack P/N 10-01-067 (sold separately)).





Model: WS NC FOR SAMSUNG Galaxy Tab S8 WITH GRILLS

Family: WALL-SMART

DWG NO. 049-4-957-WG-SPC

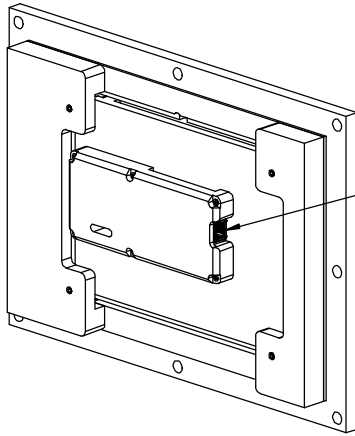


Model No.: 049-1-957-WG

PRODUCT SPEC.

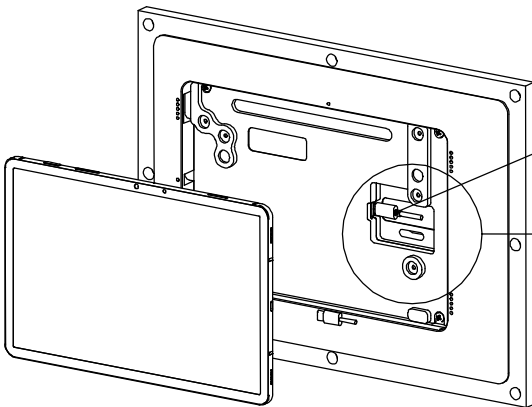
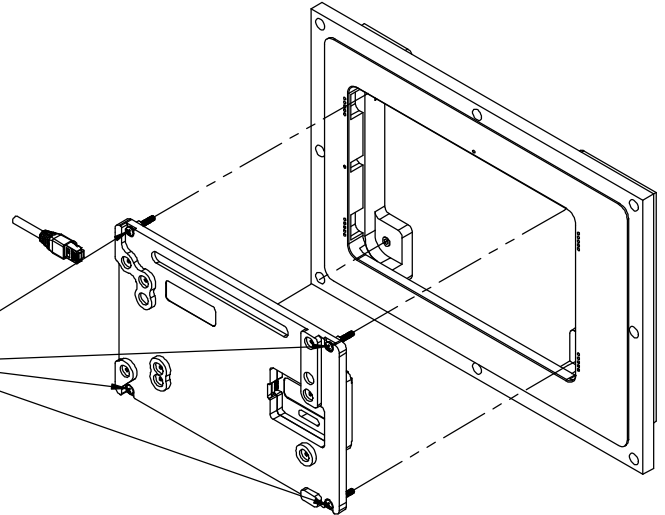
REVISION A

DATE 20/JULY/2023



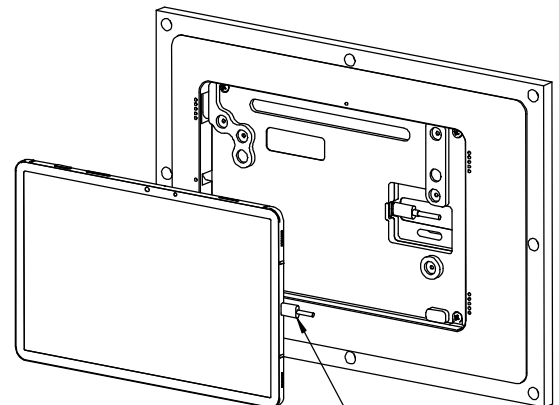
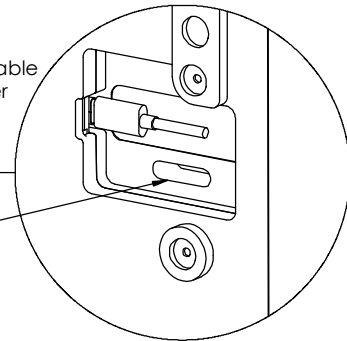
Before installation of the wall mount, connect a 48V IEEE 802.3at POE+ power source via a CAT5/6 cable and RJ45 connector to the POE to USB converter.

If required, it is possible to gradually unscrew 4 screws, remove the platform and connect the POE cable after the wall mount is installed.



Connect iPad USB-C cable to POE to USB converter

Organize the cable in the cable slit



Connect USB-C connector to the tablet and insert tablet

