



Model: WS RETROFIT FOR SAMSUNG Galaxy Tab A 10.1 SM-T510 BLACK / WHITE / UNPAINTED

Family: WALL-SMART

DWG NO. 049-4-599-SPC



Model No.: 049-1-599-BL /-WH /-WO

PRODUCT SPEC.

REVISION A

DATE 02/SEP./2020

Make Your Wall Smart

“WS RETROFIT FOR SAMSUNG Galaxy Tab A 10.1 SM-T510” - Product description:

The “WS RETROFIT FOR SAMSUNG Galaxy Tab A 10.1 SM-T510” is an adapter for in-wall nearly flush retrofit installation of SAMSUNG Galaxy Tab A 10.1 SM-T510.

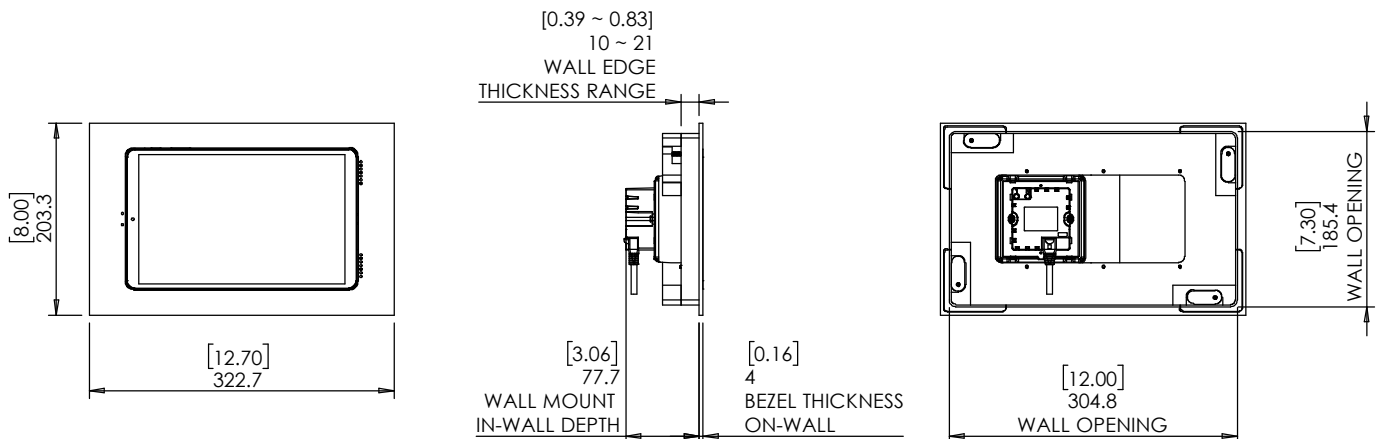
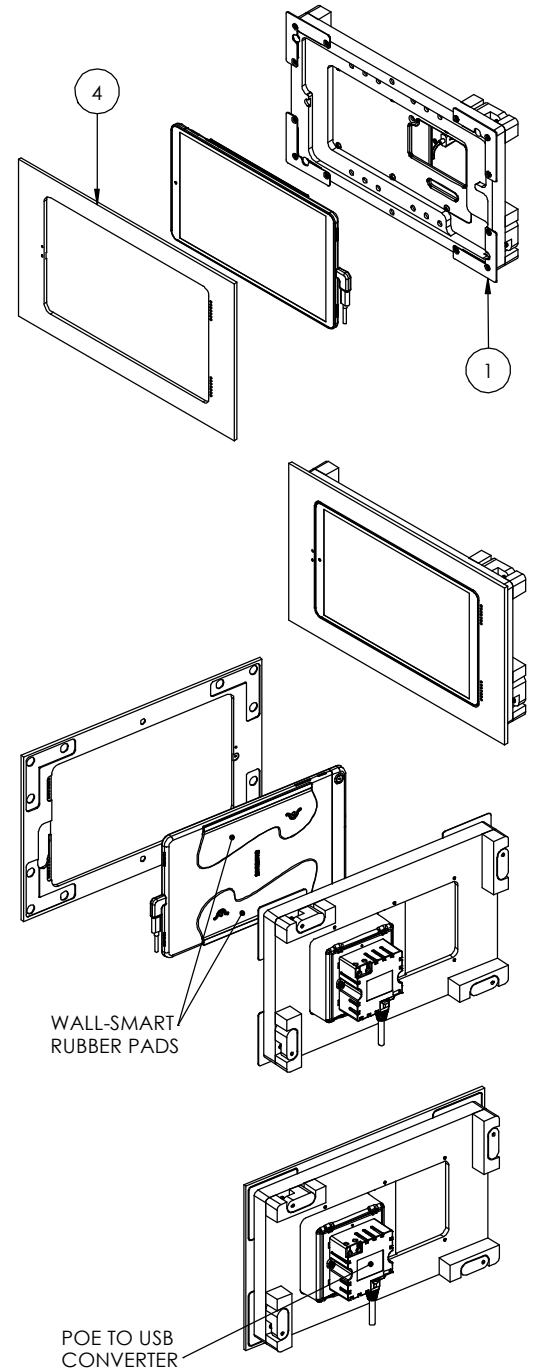
The “WS RETROFIT FOR SAMSUNG Galaxy Tab A 10.1 SM-T510” firmly mounts the Galaxy Tab while allowing easy insertion, removal and operation.

Key features and benefits:

- Nearly flush with the wall (4mm [0.16”] thick on-wall bezel).
- Wall mount may be mounted in any orientation.
- Designed for the use with Galaxy Tab A 10.1 SM-T510 (by SAMSUNG) (Galaxy Tab not included).
- Adapter kit contains:
 1. (X1) Wall adapter;
 2. (X2) Wall-Smart rubber pads;
 3. (X1) Wall-Smart Pad Positioning Template;
 4. (X1) Bezel;
- The bezel is supplied painted black (BL), white (WH) or unpainted(WO).

Key properties:

- Dimensions: (W/H/D): 322.7mm (12.7”)/ 203.3mm (8.00”)/ 81.7mm (3.21”)
- Power Supply: Wall mount includes POE to USB converter. The installer should connect the wall mount to an IEEE 802.3at POE+ power source via CAT6 cable and RJ45 connector. (Please verify the power source can supply up to 25.5W)
- Weight: 0.9Kg, 1.98lbs.
- Material: Moisture resistant MDF (compliant with TSCA Title VI)





Model: WS RETROFIT FOR SAMSUNG
Galaxy Tab A 10.1 SM-T510
BLACK / WHITE / UNPAINTED

Family: WALL-SMART

DWG NO. 049-4-599-SPC



Model No.: 049-1-599-BL /-WH /-WO

PRODUCT SPEC.

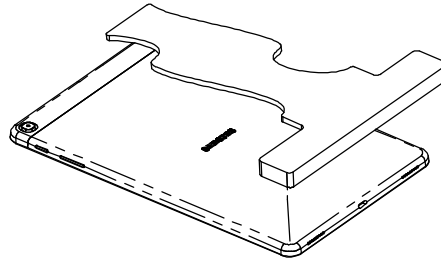
REVISION A

DATE 02/SEP./2020

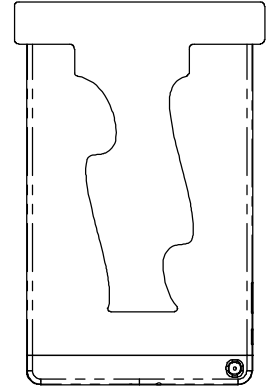
Wall-Smart rubber pads installation:

1. Clean GALAXY TAB back surface.

2. Position template.



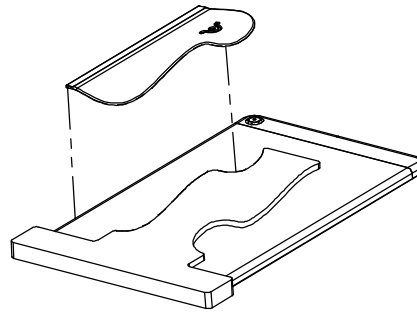
3. Align template on GALAXY TAB.



4. Remove protective tape of a rubber pad back adhesive.

5. Align rubber pad to template while maintaining the position of the template .

6. Adhere the rubber pad to the GALAXY TAB gradually from template to the edge .

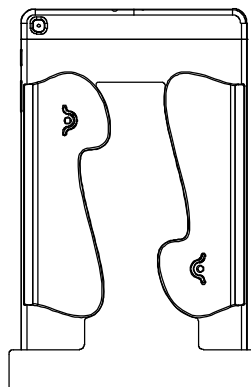
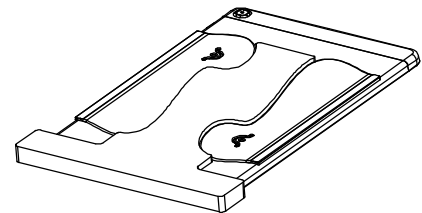


7. Press down from the center of the rubber pad and towards the pad edges to remove air bubbles .

8. Push down the edges of the rubber pad to close all gaps .

9. Repeat steps 4-8 for the second rubber pad .

10. Remove the template and wait 6mins before mounting.





Model: WS RETROFIT FOR SAMSUNG Galaxy Tab A 10.1 SM-T510 BLACK / WHITE / UNPAINTED

Family: WALL-SMART

DWG NO. 049-4-599-SPC

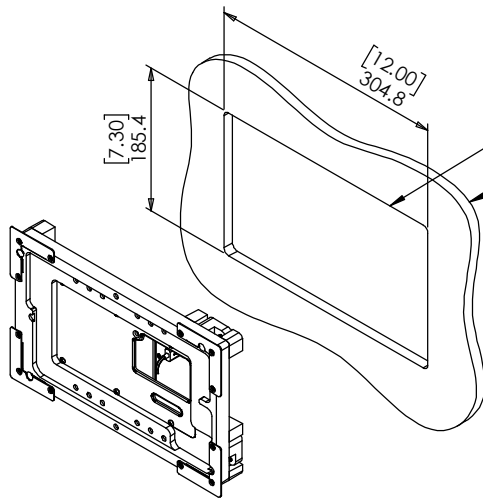


Model No.: 049-1-599-BL /-WH /-WO

PRODUCT SPEC.

REVISION A

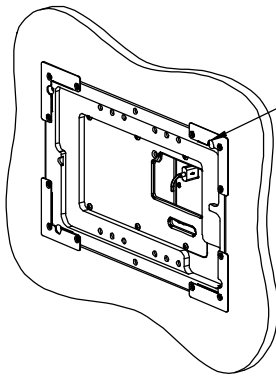
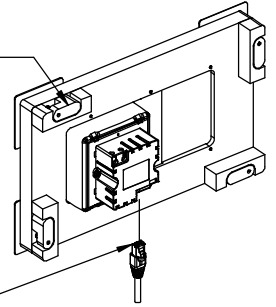
DATE 02/SEP./2020



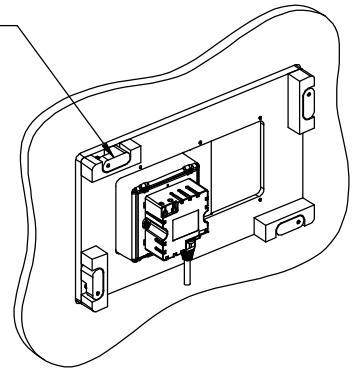
Cut opening

Board thickness 10mm[0.39"] up to 21mm[0.83"]. For boards up to 32mm[1.25"] thick, reinstall cam latches upside down

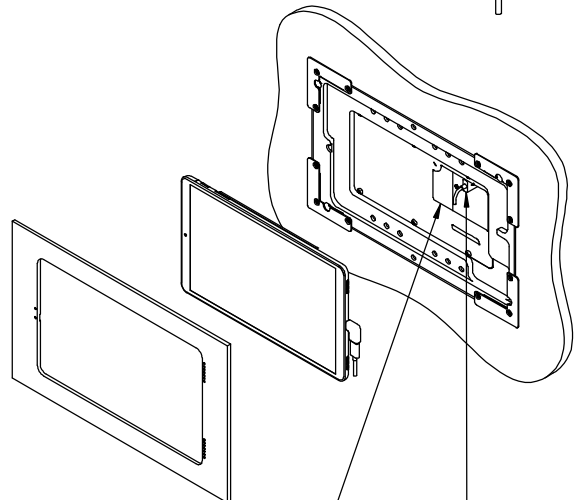
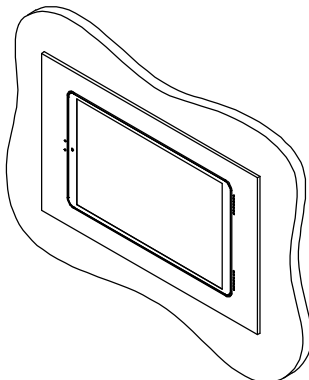
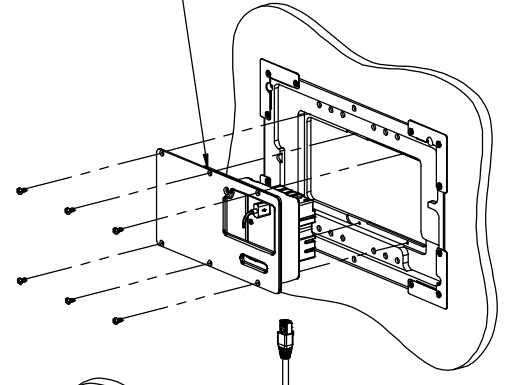
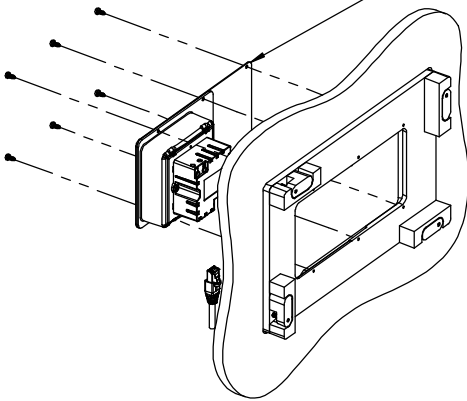
Before installation of the wall mount, connect a 48V IEEE 802.3at POE+ power source via a CAT5/6 cable and RJ45 connector to the POE to USB converter.



Insert wall mount and gently screw clockwise 4 retention screws until the cam latches retain the unit.



If required, it is possible to unscrew 6 screws, remove the back wall and connect POE cable after the wall mount was installed.



Organize the cable in the cable tray

Connect Galaxy Tab USB cable to POE to USB converter