



Model: WS NC FOR SAMSUNG Galaxy Tab A 10.1 SM-T510

Family: WALL-SMART

DWG NO. 049-4-597-SPC



Model No.: 049-1-597

PRODUCT SPEC.

REVISION A

DATE 30/MAR/2020

Make Your Wall Smart

“WS NC FOR SAMSUNG Galaxy Tab A 10.1 SM-T510” - Product description:

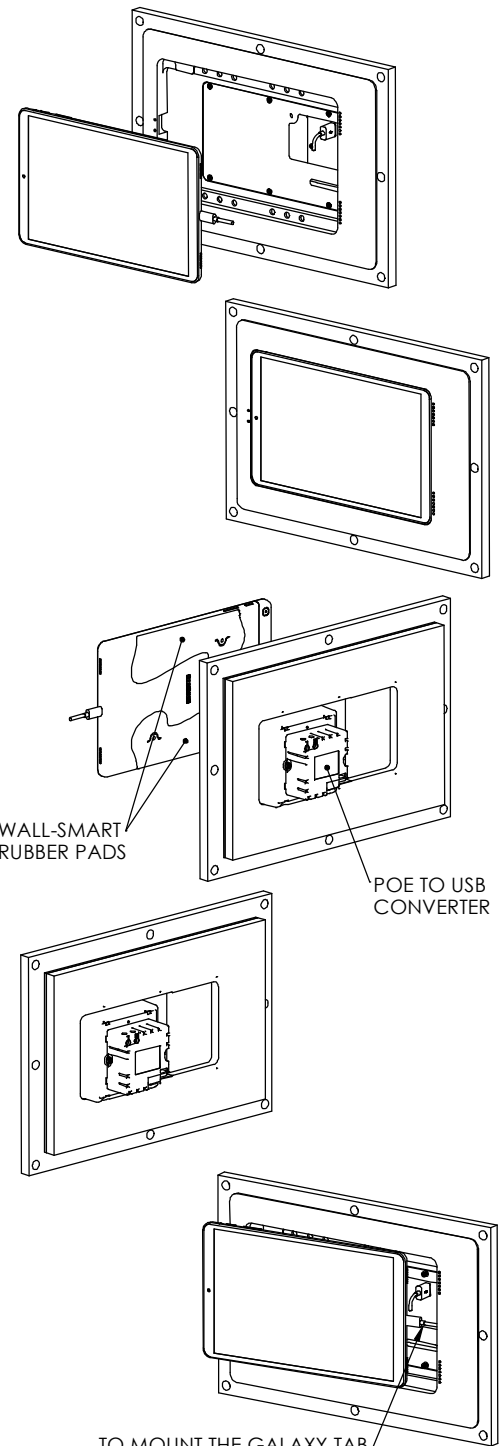
The “WS NC FOR SAMSUNG Galaxy Tab A 10.1 SM-T510” is an adapter for in-wall flush installation of SAMSUNG Galaxy Tab A 10.1 SM-T510. The “WS NC FOR SAMSUNG Galaxy Tab A 10.1 SM-T510” firmly mounts the Galaxy Tab while allowing easy insertion, removal and operation.

Key features and benefits:

- Flush with the wall.
- Wall mount may be mounted in any orientation.
- The wall mount contains speaker and mic. grills.
- Paintable with the wall paint in any color and texture.
- Allows easy insertion and removal of the Galaxy Tab.
- The adapter is supplied unpainted (To be painted after installation as part of the wall).
- Designed to be installed in ½” drywall. Installation of the Wall-Smart adapter is straight-forward. Installation process is similar to drywall construction procedures.
- For installation in concrete/block wall use “WS CONCRETE ADAPTOR 350X242” P/N 10-01-530 (sold separately) according installation instruction 10-04-00103-INS in <http://www.wall-smart.com/faq>
- Designed for the use with SAMSUNG Galaxy Tab A 10.1 SM-T510 (not included).
- Adapter kit contains:
 1. (X1) Wall adapter;
 2. (X2) Wall-Smart rubber pads;
 3. (X1) Wall-Smart Pad Positioning Template

Key properties:

- Dimensions: (W/H/D): 346mm (13.6")/ 240.5mm (9")/ 81.2mm (3.2")
- Power Supply: Wall mount includes POE to USB converter. The installer should connect the wall mount to an IEEE 802.3at POE+ power source via CAT6 cable and RJ45 connector. (Please verify the power source can supply up to 25.5W)
- Weight: 1.1Kg, 2.42lbs.
- Material: Moisture resistant MDF (compliant with TSCA Title VI)
- To be installed in ½” drywall (for installation in 5/8” drywall use 1/8” shim pack P/N 10-01-067 (sold separately)).

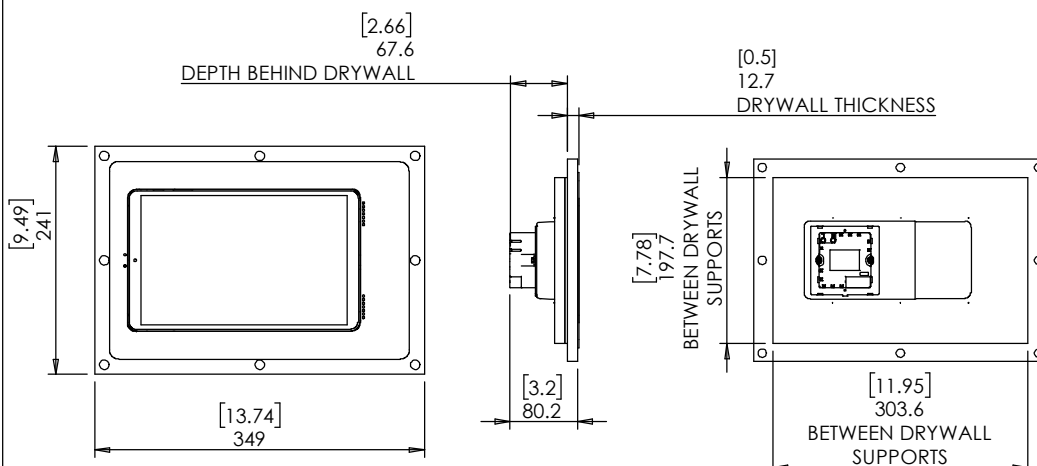


WALL-SMART RUBBER PADS

POE TO USB CONVERTER

TO MOUNT THE GALAXY TAB INSERT USB CONNECTOR AND MAGNETICALLY DROP GALAXY TAB IN PLACE.

PUSH TO OPEN





Model: WS NC FOR SAMSUNG Galaxy Tab A 10.1 SM-T510

Family: WALL-SMART

DWG NO. 049-4-597-SPC



Model No.: 049-1-597

PRODUCT SPEC.

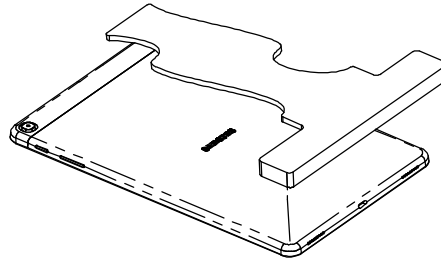
REVISION A

DATE 30/MAR/2020

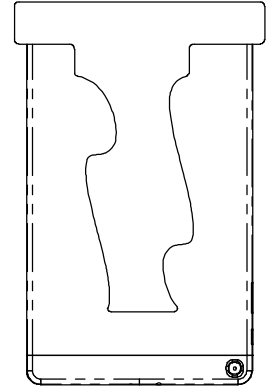
Wall-Smart rubber pads installation:

1. Clean GALAXY TAB back surface.

2. Position template.



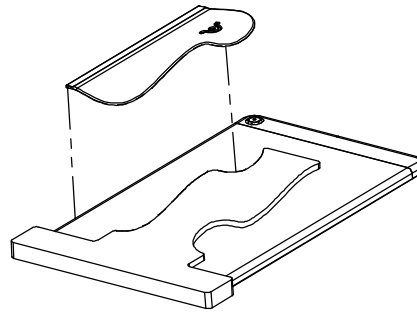
3. Align template on GALAXY TAB.



4. Remove protective tape of a rubber pad back adhesive.

5. Align rubber pad to template while maintaining the position of the template .

6. Adhere the rubber pad to the GALAXY TAB gradually from template to the edge .

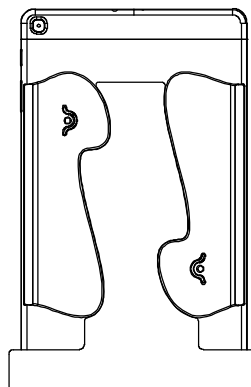
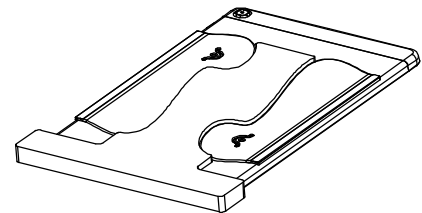


7. Press down from the center of the rubber pad and towards the pad edges to remove air bubbles .

8. Push down the edges of the rubber pad to close all gaps .

9. Repeat steps 4-8 for the second rubber pad .

10. Remove the template and wait 6mins before mounting.





Model: WS NC FOR SAMSUNG Galaxy Tab A 10.1 SM-T510

Family: WALL-SMART

DWG NO. 049-4-597-SPC

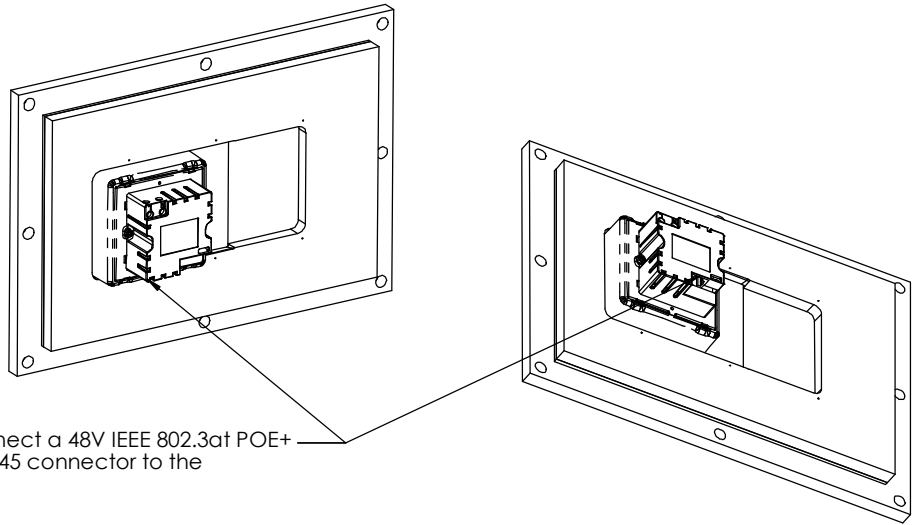


Model No.: 049-1-597

PRODUCT SPEC.

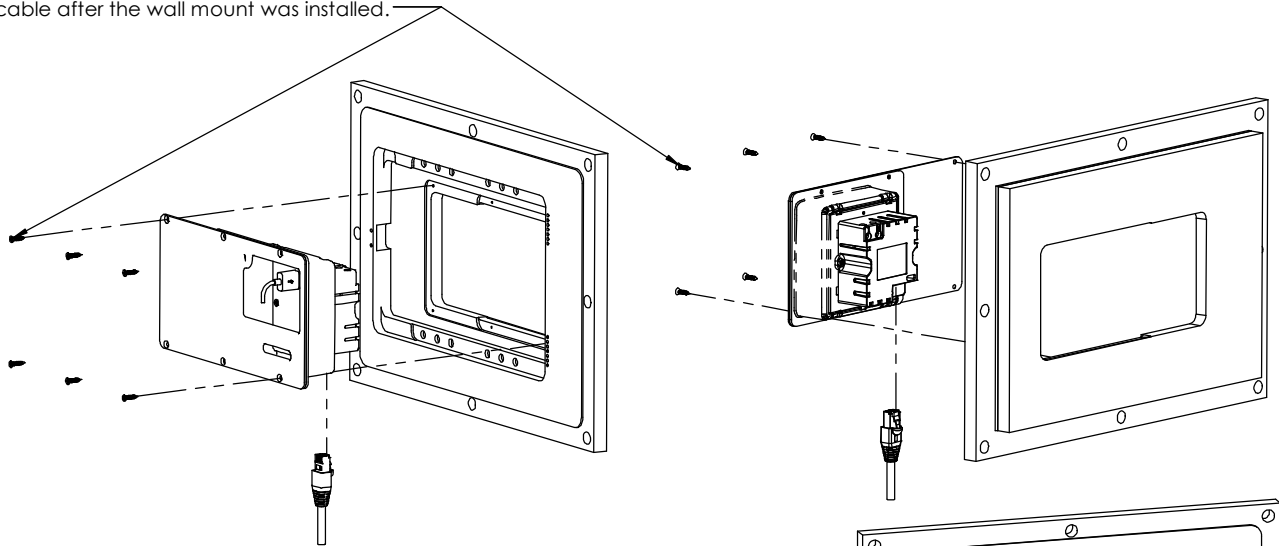
REVISION A

DATE 30/MAR/2020



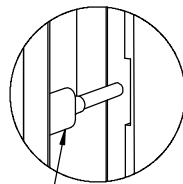
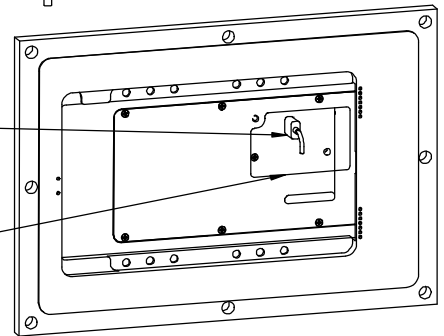
Before installation of the wall mount, connect a 48V IEEE 802.3at POE+ power source via a CAT5/6 cable and RJ45 connector to the POE to USB converter.

If required, it is possible to unscrew 6 screws, remove the back wall and connect POE cable after the wall mount was installed.



Connect USB cable to POE to USB converter

Organize the cable in the cable tray



Connect USB connector to the GALAXY TAB and insert

