



Model: WS RF FOR HONEYWELL
6290W TOUCHCENTER

Model No.: 039-1-868

Family: WALL-SMART

DWG NO. 039-4-868-SPC

PRODUCT SPEC.

REVISION A

DATE 14/OCT./2020



Make Your Wall Smart

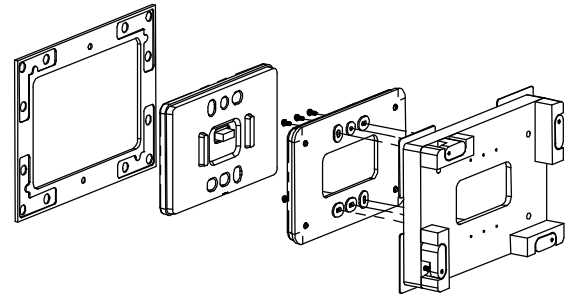
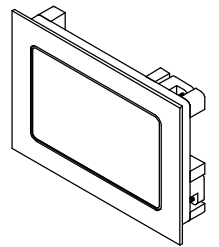
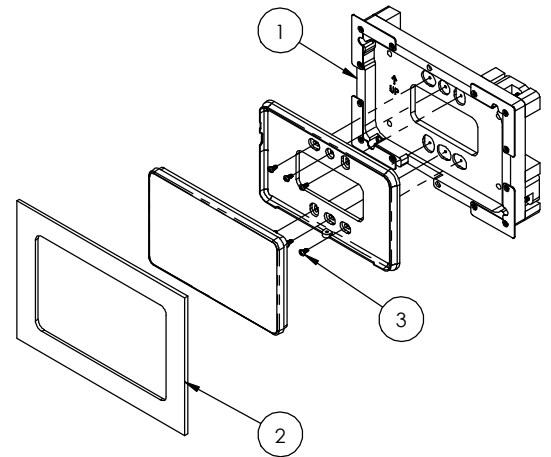
“WS RF FOR HONEYWELL 6290W TOUCHCENTER” - Product description:

The “WS RF FOR HONEYWELL 6290W TOUCHCENTER” is an adapter for in-wall nearly flush retrofit installation of 6290W TOUCHCENTER.

The “WS RF FOR HONEYWELL 6290W TOUCHCENTER” firmly mounts the device while allowing easy insertion, removal and operation.

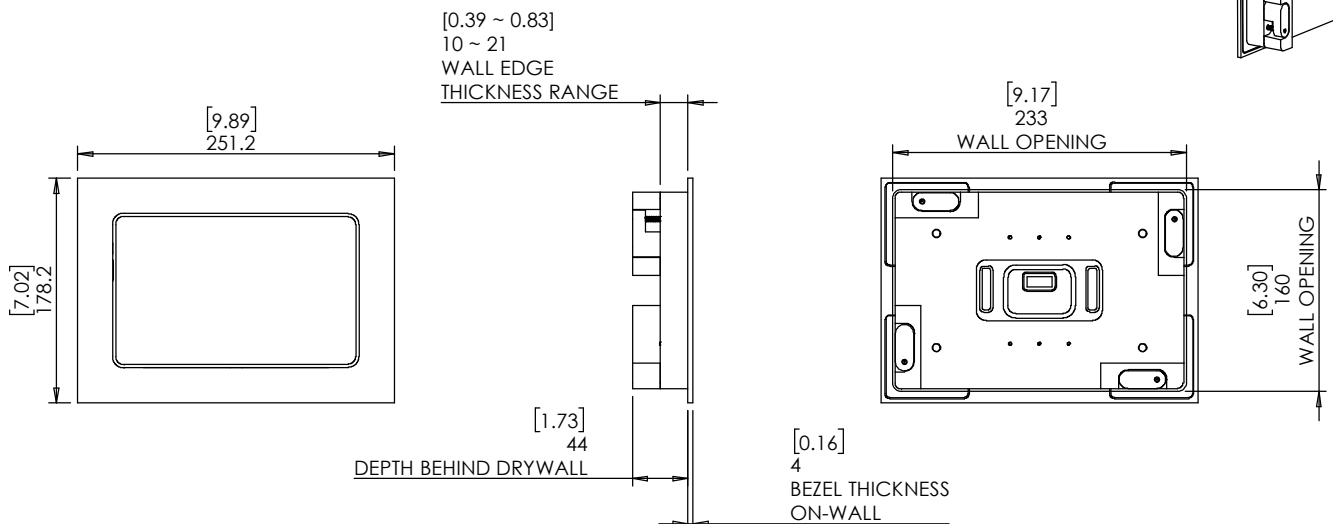
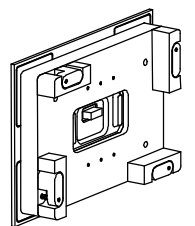
Key features and benefits:

- Nearly flush with the wall (4mm [0.16"] thick on-wall bezel).
- Allows easy insertion and removal of the touch screen.
- Bezel attaches magnetically to the retrofit wall mount base.
- The bezel is supplied painted white.
- Board thickness 10mm[0.39"] up to 21mm[0.83"].
For boards up to 32mm[1.25"] thick, reinstall dog ears upside down.
- Designed for the use with 6290W TOUCHCENTER(by Honeywell)(not included).
- Adapter kit contains:
 1. (X1) Wall adapter;
 2. (X1) Bezel;
 3. (X6) KA3.5x8 screws;



Key properties:

- Dimensions: (W/H/D): 251.2mm (9.89")/ 178.2mm (7.02")/ 48mm (1.89")
- Weight: 1.0Kg, 2.2lbs.
- Material: Moisture resistant MDF (compliant with TSCA Title VI)





Model: WS RF FOR HONEYWELL
6290W TOUCHCENTER

Model No.: 039-1-868

Family: WALL-SMART

DWG NO. 039-4-868-SPC

PRODUCT SPEC.

REVISION A

DATE 14/OCT./2020

