



Model: WS RF FOR URC TKP-8600
BLACK / WHITE / UNPAINTED

Model No.: 032-4-773-BL/-WH/-WO

Family: WALL-SMART

DWG NO. 032-4-773-SPC

PRODUCT SPEC.

REVISION A

DATE 12/SEP/2021



Make Your Wall Smart

“WS RF FOR URC TKP-8600 BLACK / WHITE / UNPAINTED” -

Product description:

The “WS RF FOR URC TKP-8600 BLACK / WHITE / UNPAINTED” is an adapter for in-wall nearly flush retrofit installation of a URC TKP-8600 touch screen.

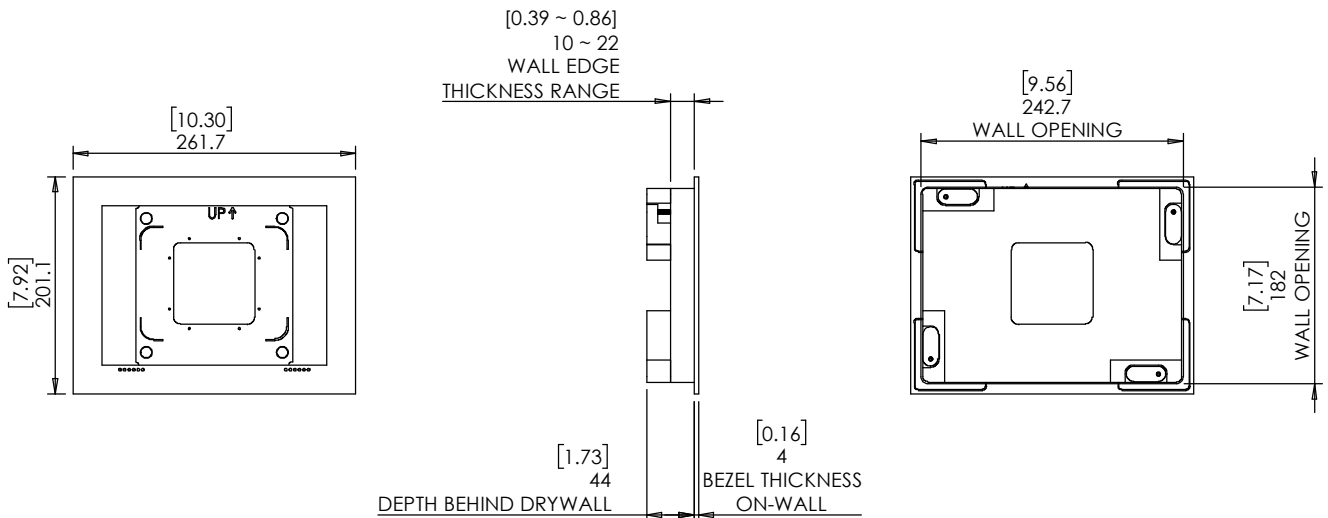
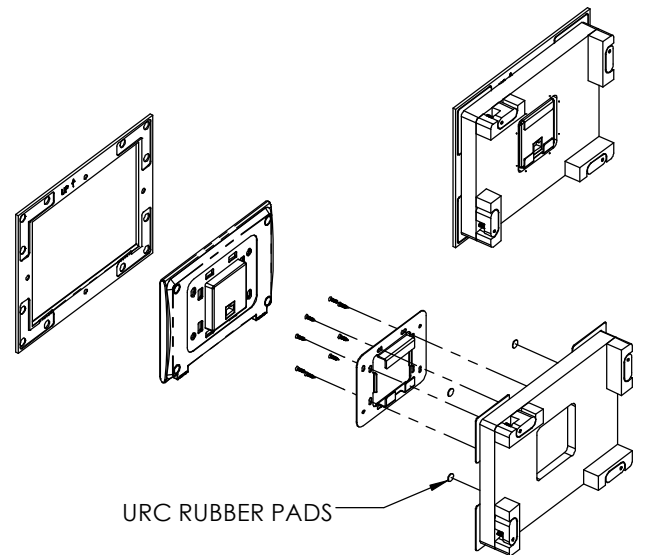
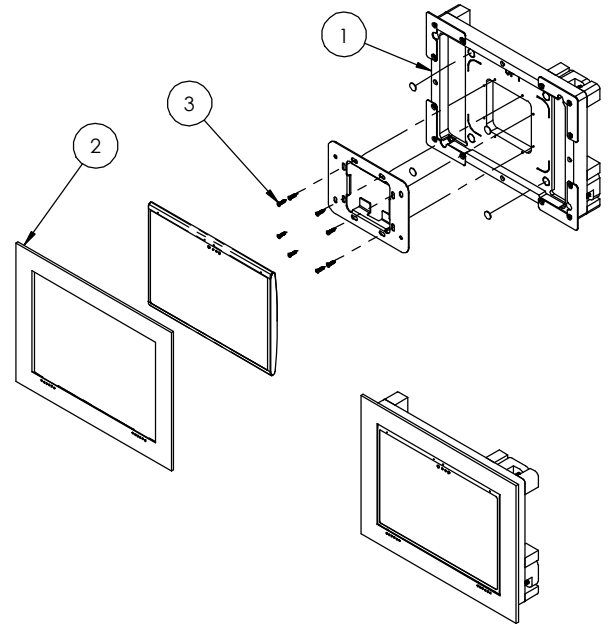
The “WS RF FOR URC TKP-8600 BLACK / WHITE / UNPAINTED” firmly mounts the screen while allowing easy insertion, removal and operation.

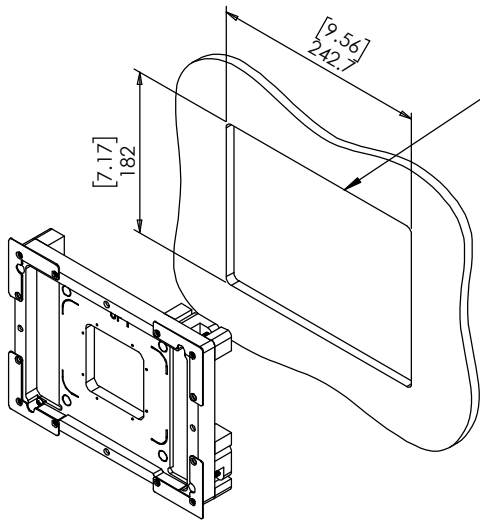
Key features and benefits:

- Nearly flush with the wall (4mm [0.16"] thick on-wall bezel).
- Bezel attaches magnetically to the retrofit wall mount base.
- The bezel is supplied painted black (-BL), white (-WH) or unpainted (-WO).
- Board thickness 10mm[0.39"] up to 22mm[0.86"].
- Designed for the use with TKP-8600 touch screen (by Universal Remote Control, Inc.) (not included).
- Adapter kit contains:
 1. Wall adapter (x1)
 2. Bezel (x1)
 3. ST3x13 Screws (x8)

Key properties:

- Dimensions: (W/H/D): 261.7mm (10.30")/ 201.1mm (7.92")/ 48mm (1.89")
- Weight: 0.6Kg, 1.32lbs.
- Material: Moisture resistant MDF (compliant with TSCA Title VI)

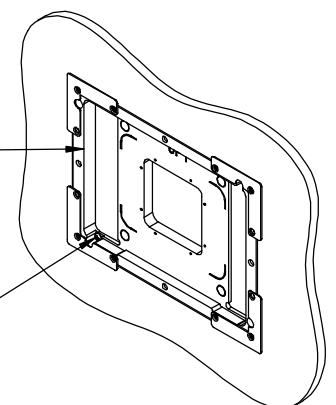




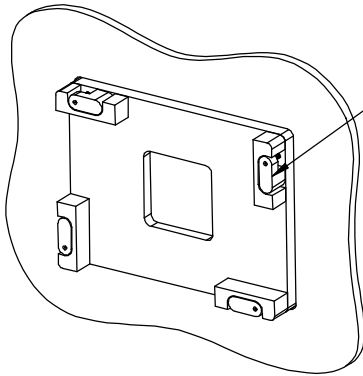
1. CUT OPENING - BOARD THICKNESS 10mm [0.39"]
UP TO 22mm [0.86"] (FOR BOARDS UP TO
32mm [1.25"] THICK, REINSTALL DOG EARS
UPSIDE DOWN.

2. ROUTE NECESSARY CABLES

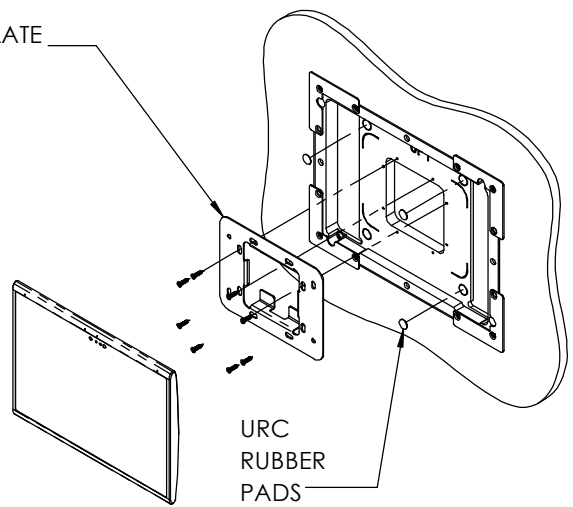
3. INSERT WALL MOUNT BASE



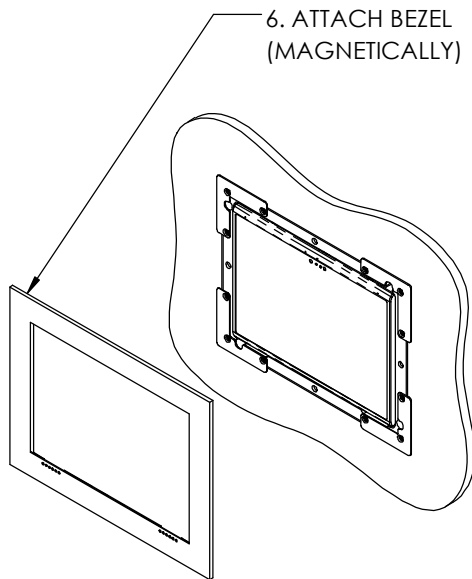
4. GENTLY SCREW CLOCKWISE 4
RETENTION SCREWS UNTIL DOG
EARS RETAIN THE UNIT



5. SCREW IN URC WALL-PLATE
AND INSERT SCREEN



6. ATTACH BEZEL
(MAGNETICALLY)



TO REMOVE: DEATTACH
BEZEL AND PUSH SCREEN

