



Model: WS NC FOR SAVANT THERMOSTAT CLI-W200

Family: WALL-SMART
DWG NO. 028-4-386-SPC



Model No.: 028-1-386

PRODUCT SPEC.

REVISION A
DATE 3/Mar./2019

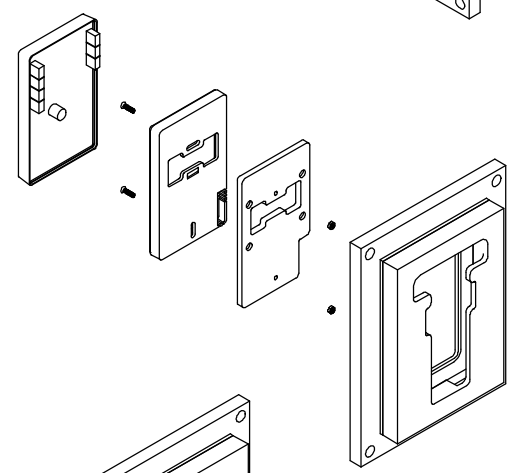
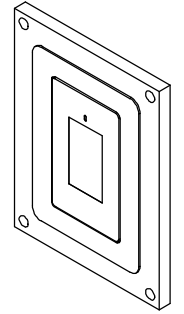
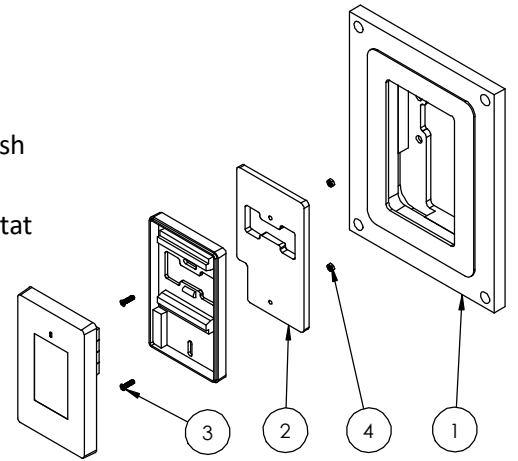
Make Your Wall Smart

“WS NC FOR SAVANT THERMOSTAT CLI-W200” - Product description:

The “WS NC FOR SAVANT THERMOSTAT CLI-W200” is an adapter for in-wall flush installation of CLI-W200 thermostat.
The “WS NC FOR SAVANT THERMOSTAT CLI-W200” firmly mounts the thermostat while allowing easy access, insertion and operation.

Key features and benefits:

- Thermostat should be connected to a remote temperature sensor.
- Flush with the wall.
- Paintable with the wall paint in any color and texture.
- Allows easy insertion and removal of the thermostat.
- The adapter is supplied unpainted (To be painted after installation as part of the wall).
- Designed to be installed in 1/2” drywall. Installation of the Wall-Smart adapter is straight-forward. Installation process is similar to drywall construction procedures. Before installation, read Wall-Smart installation instruction 10-04-00101-INS in <http://www.wall-smart.com/faq>
- For installation in concrete/block wall use “WS Concrete Box 213x163” P/N 10-01-072 (sold separately) according installation instruction 10-04-00103-INS in <http://www.wall-smart.com/faq>
- Designed for the use with CLI-W200 thermostat (by Savant) (thermostat not included).
- Adapter kit contains:
 1. Wall adapter;
 2. thermostat adapter;
 3. (X2) M3x12 screws;
 4. (X2) M3 nuts;



Key properties:

- Dimensions (W/H/D): 212mm (8.35")/ 162mm (6.38")/ 33.2mm (1.31")
- Power Supply: None (manual adapter).
- Weight: 0.75Kg, 1.65lbs.
- Material: Moisture resistant MDF (compliant with TSCA Title VI)
- To be installed in 1/2” drywall (for installation in 5/8” drywall use 1/8” shim pack P/N 10-01-067 (sold separately)).

