



Model: WS RETROFIT FOR RTI KA11

Family: WALL-SMART

DWG NO. 027-4-498-SPC



Model No.: 027-1-498-BL/-WH/-WO

PRODUCT SPEC.

REVISION A

DATE 11/MAR/2019

Make Your Wall Smart

“WS RETROFIT FOR RTI KA11” - Product description:

The “WS RETROFIT FOR RTI KA11” is an adapter for in-wall nearly flush retrofit installation of a KA11 touch panel.

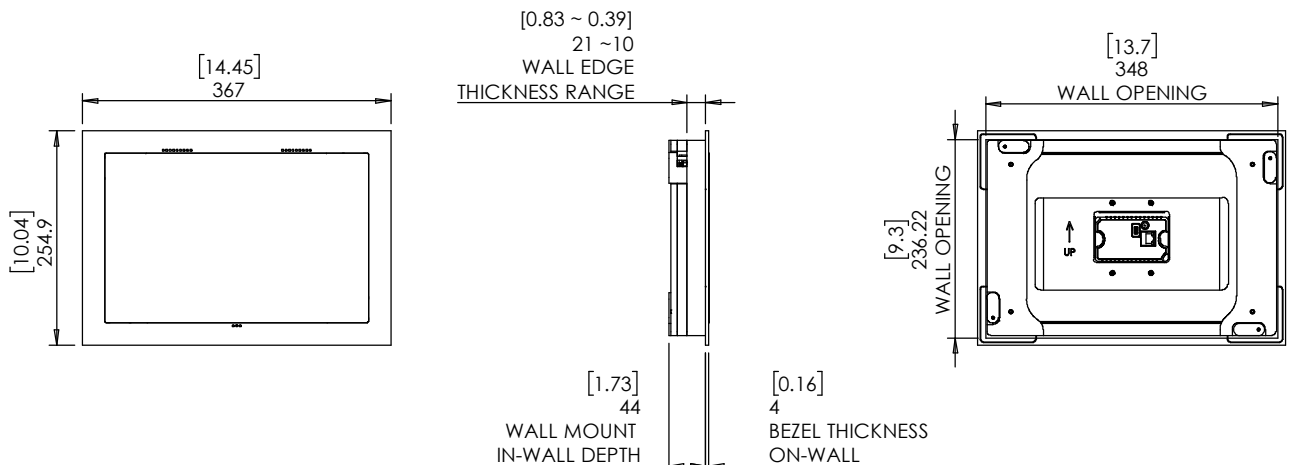
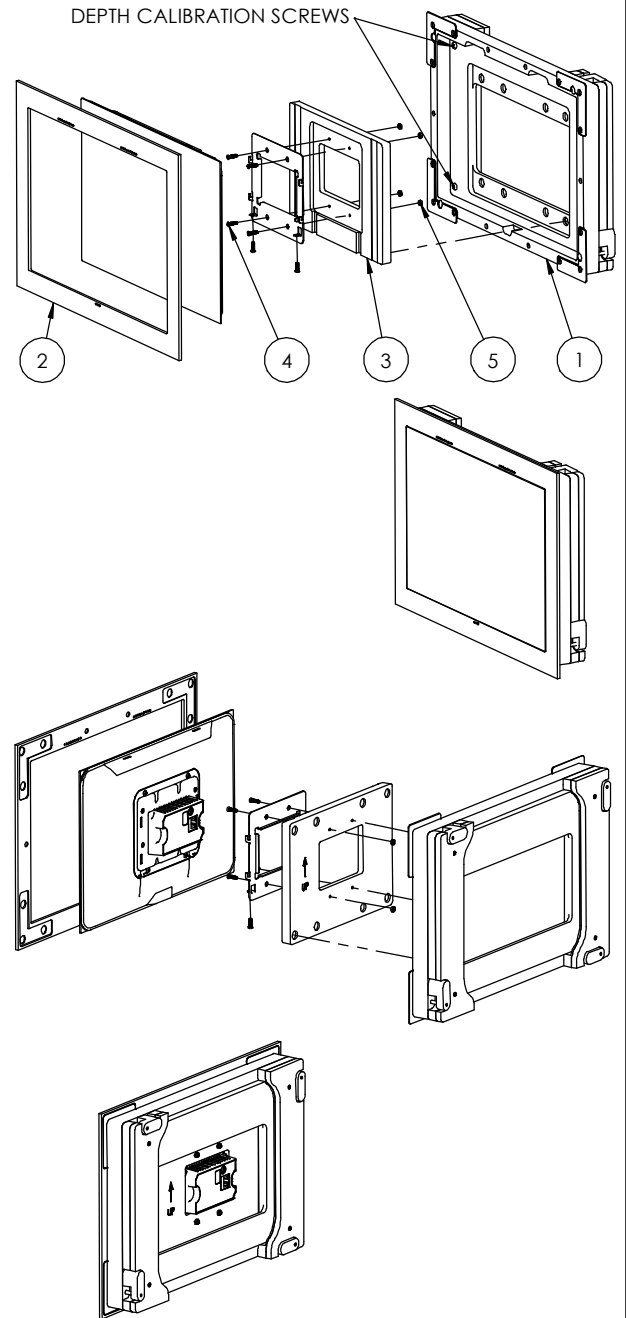
The “WS RETROFIT FOR RTI KA11” firmly mounts the KA11 touch panel while allowing easy insertion, removal and operation.

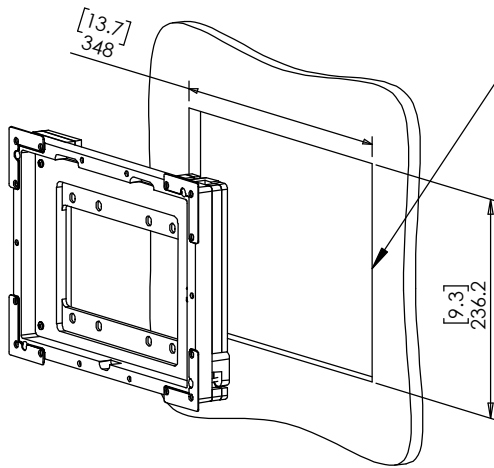
Key features and benefits:

- Nearly flush with the wall (4mm [0.16"] thick on-wall bezel).
- Wall mount may be mounted in any orientation.
- Allows easy insertion and removal of the touch panel.
- Wall mount contains depth calibration screws. Wall board thickness 10mm [0.39"] up to 21mm [0.83"]. For boards up to 32mm [1.25"] thick, reinstall cam latches upside down.
- Bezel attaches magnetically to the retrofit wall mount base.
- The bezel is supplied painted black (-BL), white (-WH) or unpainted (-WO) paintable with the wall paint.
- Designed for the use with KA11 touch panel (by RTI) (touch panel is not included).
- Adapter kit contains:
 1. (X1) Wall mount base;
 2. (X1) Bezel;
 3. (X1) TOUCH PANEL ADAPTER;
 4. (X4) M3X12 SCREWS
 5. (X4) M3 NUTS

Key properties:

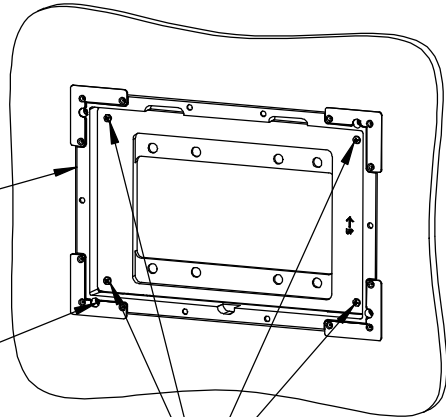
- Dimensions: (W/H/D): 367mm (14.45")/ 254.9mm (10.04")/ 40mm (1.58")
- Weight: 2.2Kg, 4.84lbs.
- Material: Fire retardant MDF (compliant with TSCA Title VI)





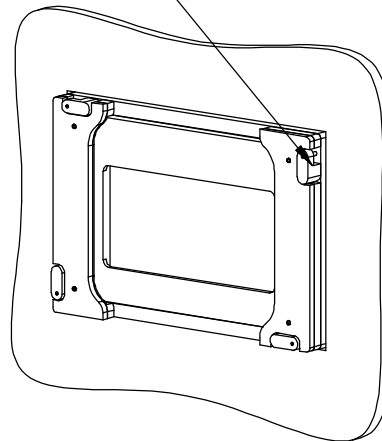
1. CUT OPENING - BOARD THICKNESS 10mm [0.39"] UP TO 18mm [0.83"] (FOR BOARDS UP TO 26mm [1.02"] THICK, REINSTALL CAM LATCHES UPSIDE DOWN.

2. ROUTE NECESSARY CABLES

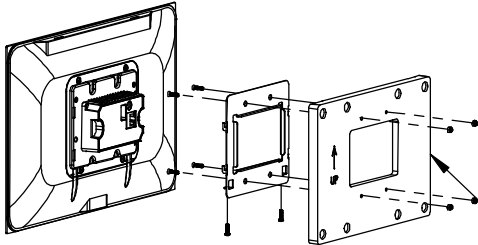


3. INSERT WALL MOUNT BASE

4. GENTLY SCREW CLOCKWISE 4 RETENTION SCREWS UNTIL CAM LATCHES RETAIN THE UNIT.

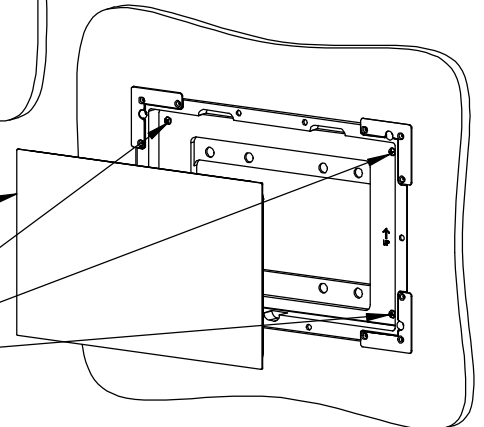


DEPTH CALIBRATION SCREWS

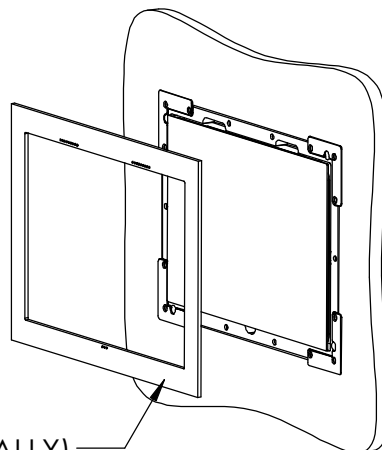


5. ASSEMBLE THE TOUCH PANEL ADAPTOR

6. ATTACH TOUCH SCREEN (MAGNETICALLY)



7. DETACH SCREEN AND ADJUST SCREEN DEPTH BY ROTATION OF THE DEPTH CALIBRATION SCREWS



8. ATTACH THE BEZEL (MAGNETICALLY)

