



Model: WS NC FOR RTI KA11

Model No.: 027-1-496

Family: WALL-SMART

DWG NO. 027-1-496-SPC

PRODUCT SPEC.

REVISION A

DATE 03/Apr./2019



Make Your Wall Smart

“WS NC FOR RTI KA11” - Product description:

The “WS NC FOR RTI KA11” is an adapter for in-wall flush installation of KA11 touch panel.

The “WS NC FOR RTI KA11” firmly mounts the touch panel while allowing easy access, insertion and operation.

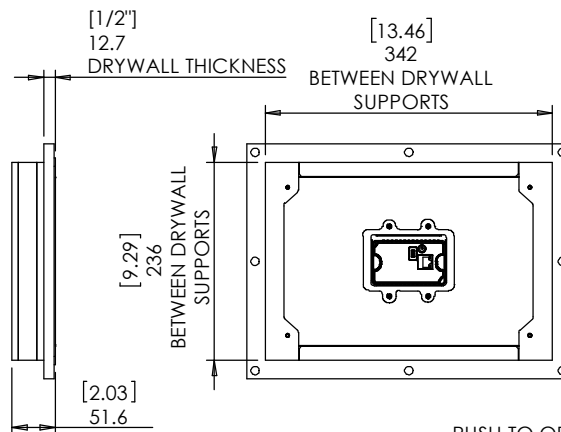
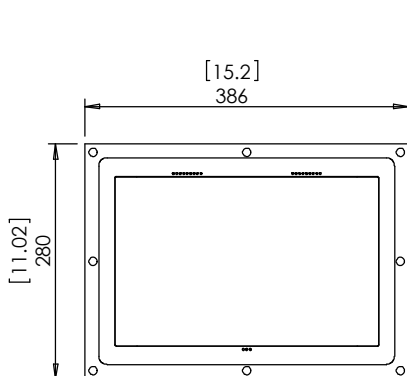
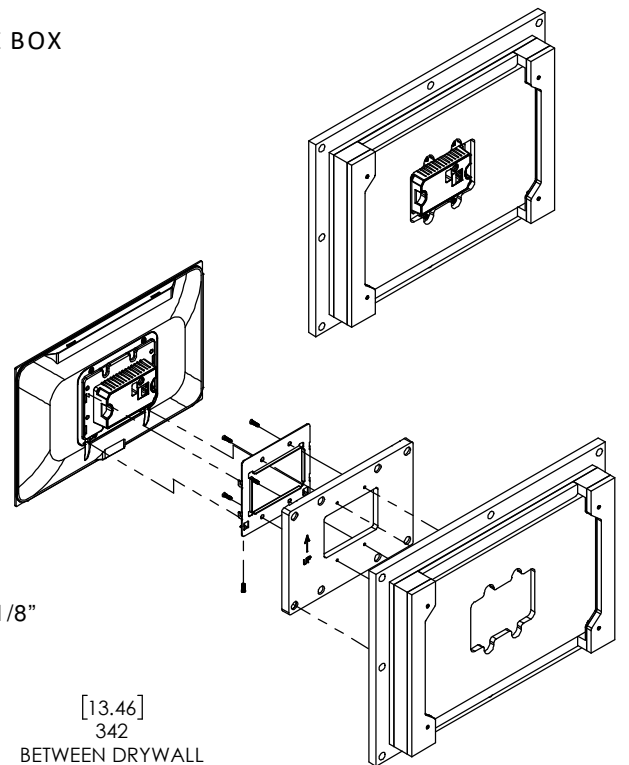
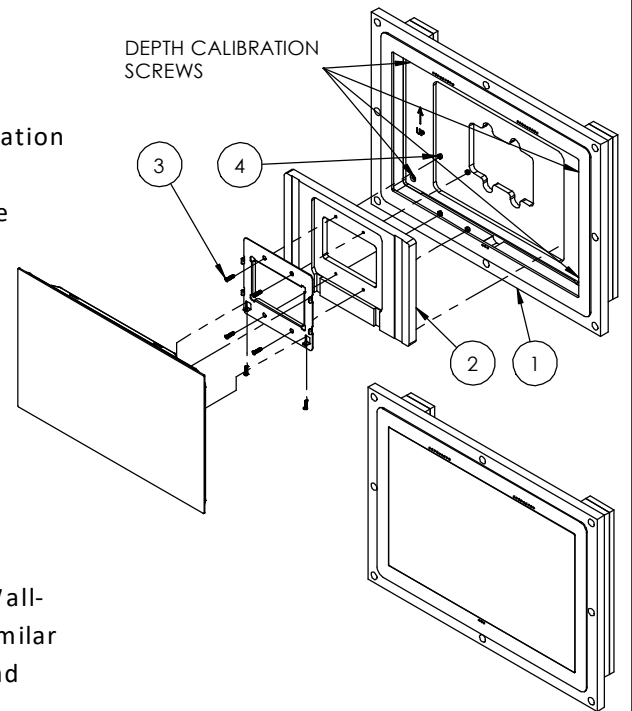
Key features and benefits:

- Flush with the wall.
- Includes a depth calibration mechanism.
- Paintable with the wall paint in any color and texture.
- Allows easy insertion and removal of the touch panel.
- The adapter is supplied unpainted (To be painted after installation as part of the wall).
- Designed to be installed in 1/2” drywall. Installation of the Wall-Smart adapter is straight-forward. Installation process is similar to drywall construction procedures. Before installation, read Wall-Smart installation instruction 10-04-00101-INS in <http://www.wall-smart.com/faq>
- For installation in concrete/block wall use “WS CONCRETE BOX 388X282” P/N 10-01-769 (sold separately) according installation instruction 10-04-00103-INS in <http://www.wall-smart.com/faq>
- Designed for the use with KA11 touch panel (by RTI) (touch panel not included).
- Adapter kit contains:

1. Wall adapter;
2. Touch screen adapter;
3. (X4) M3x12 screws
4. (X4) M3 nuts

Key properties:

- Dimensions (W/H/D): 386mm (15.2”)/ 280mm (11.02”)/ 51.6mm (2.03”)
- Power Supply: None (manual adapter).
- Weight: 1Kg, 2.2lbs.
- Material: Moisture resistant MDF (compliant with TSCA Title VI)
- To be installed in 1/2” drywall (for installation in 5/8” drywall use 1/8” shim pack P/N 10-01-067 (sold separately)).



PUSH TO OPEN