



Model: WS RETROFIT FOR TSW-1070  
BLACK/WHITE/WO PAINT

Family: WALL-SMART

DWG NO. 012-4-835-SPC



Model No.: 012-1-835-BL/-WH/-WO

PRODUCT SPEC.

REVISION A

DATE 14/JUNE/2020

**Make Your Wall Smart**

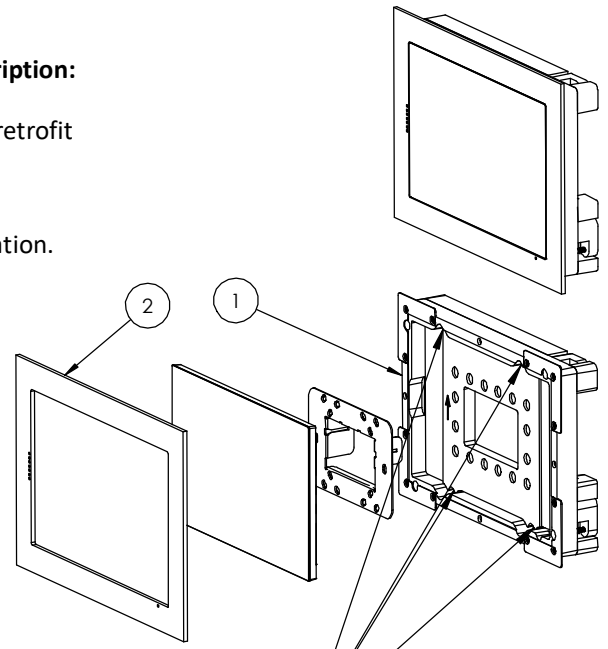
**“WS RETROFIT FOR TSW-1070 BLACK\WHITE\WO PAINT” Product description:**

The “WS RETROFIT FOR TSW-1070” is an adapter for in-wall nearly flush retrofit installation of a TSW-1070 touch screen.

The “WS RETROFIT FOR TSW-1070” firmly mounts the TSW-1070 touch screen while allowing easy insertion, removal and operation.

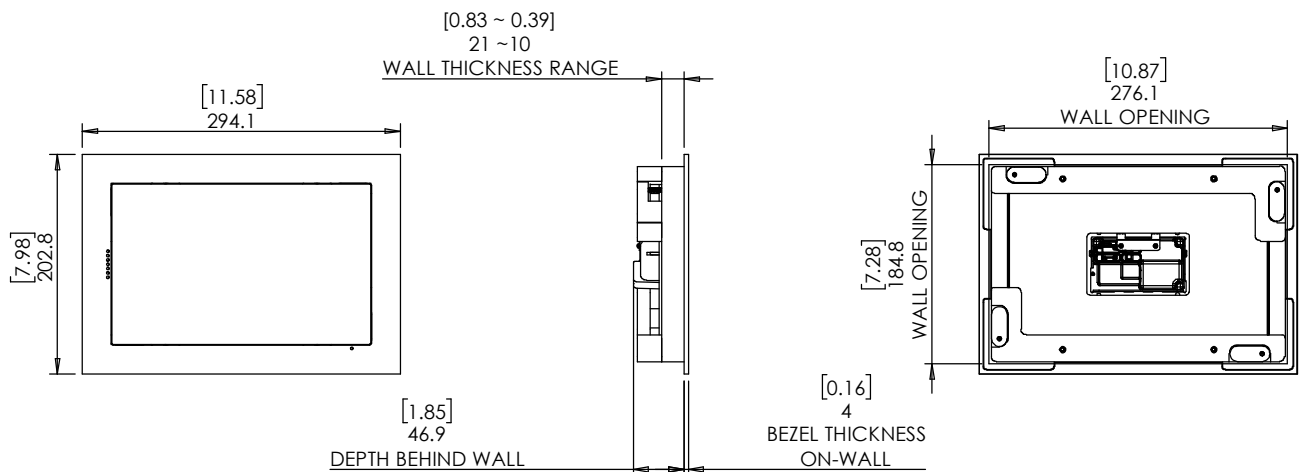
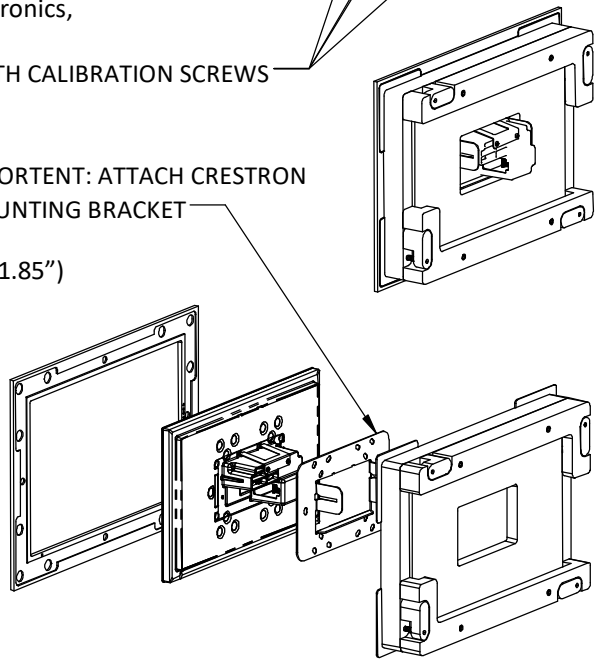
**Key features and benefits:**

- Nearly flush with the wall (4mm [0.16"] thick on-wall bezel).
- Wall mount contains depth calibration screws.
- Wall mount may be mounted in any orientation.
- Allows easy insertion and removal of the touch screen.
- Bezel attaches magnetically to the retrofit wall mount base.
- The bezel is supplied painted black (-BL), white (-WH) or unpainted (-WO)
- The bezel is supplied, by default, with speaker and mic grills.
- Designed for the use with TSW-1070 touch screen (by Crestron Electronics, Inc. ©) (touch panel is not included).
- Adapter kit contains:
  1. (X1) Wall mount base;
  2. (X1) Bezel;



**Key properties:**

- Dimensions: (W/H/D): 294.1mm (11.58")/ 202.8mm (7.98")/47mm (1.85")
- Weight: 0.9Kg, 1.98lbs.
- Material: Moisture resistant MDF





Model: WS RETROFIT FOR TSW-1070  
BLACK/WHITE/WO PAINT

Family: WALL-SMART

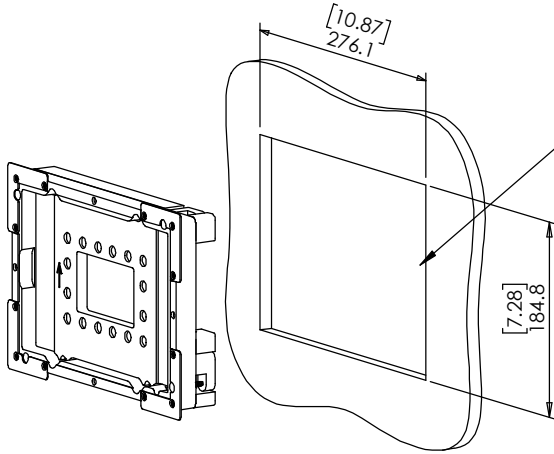
DWG NO. 012-4-835-SPC

Model No.: 012-1-835-BL/-WH/-WO

PRODUCT SPEC.

REVISION A

DATE 14/JUNE/2020

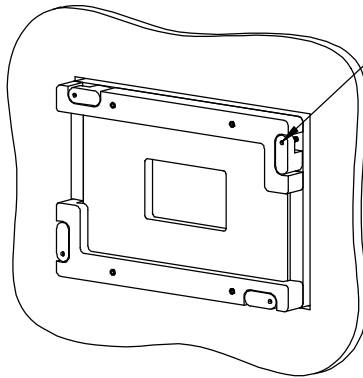


1. CUT OPENING - BOARD THICKNESS 10mm [0.39"] UP TO 21mm [0.83"] (FOR BOARDS UP TO 32mm [1.25"] THICK, REINSTALL CAM LATCHES UPSIDE DOWN.

2. ROUTE NECESSARY CABLES

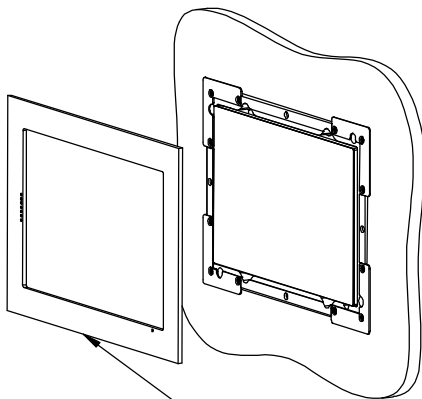
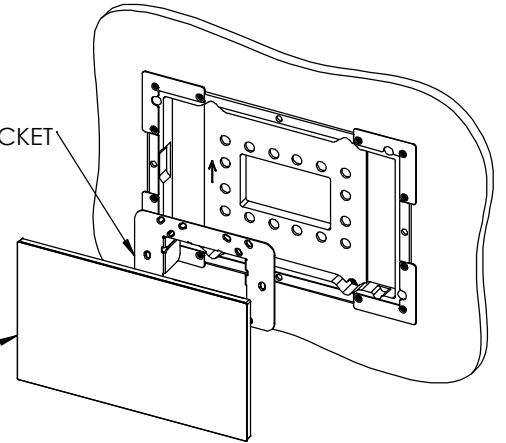
3. INSERT WALL MOUNT BASE

4. GENTLY SCREW CLOCKWISE 4 RETENTION SCREWS UNTIL CAM LATCHES RETAIN THE UNIT.



CRESTRON MOUNTING BRACKET

5. ATTACH TOUCH SCREEN (MAGNETICALLY)



BEZEL ORIENTATION:  
MIC GRILL ON THE BOTTOM  
SPEAKER GRILL ON THE LEFT

6. ATTACH BEZEL (MAGNETICALLY)

