



Model: WS RF FOR C4 T4 8
BLACK/WHITE/UNPAINTED

Model No.: 007-1-847-BL/-WH/-WO

Family: WALL-SMART

DWG NO. 007-4-847-SPC

PRODUCT SPEC.

REVISION B
DATE 08/MAR/2022



Make Your Wall Smart

“WS RETROFIT FOR C4 T4 8” BLACK/WHITE/UNPAINTED” - Product description:

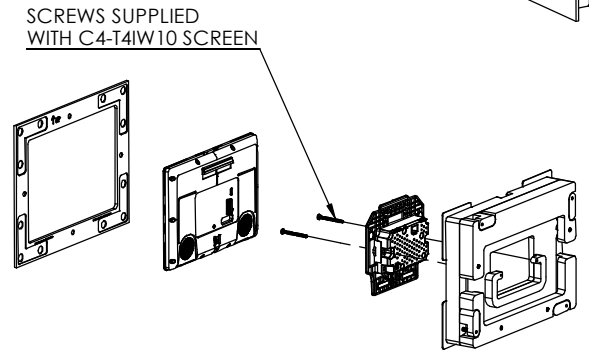
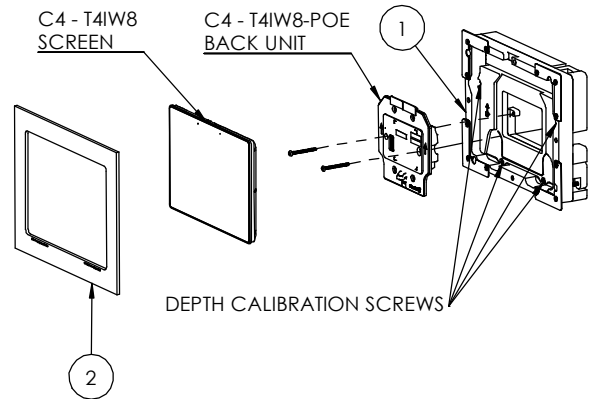
The “WS RETROFIT FOR C4 T4 8” is an adapter for in-wall nearly flush retrofit installation of T4IW8 touch screen. The “WS RETROFIT FOR C4 T4 8” firmly mounts the touch screen while allowing easy insertion, removal and operation.

Key features and benefits:

- Nearly flush with the wall (4mm [0.16"] thick on-wall bezel).
- Wall mount contains depth calibration screws.
- Board thickness 10mm[0.39"] up to 21mm[0.83"]. For boards up to 32mm[1.25"] thick, reinstall cam latches upside down.
- Designed for POE power only.
- Does not require control4 back box.
- Designed for the use with C4-T4IW8-POE-BL/WH touch screen (by Control 4) (touch screen is not included).
- Adapter kit contains:
 1. (X1) Wall adapter;
 2. (X1) Bezel;
- The bezel is supplied painted black (-BL), white (-WH) or unpainted (-WO).

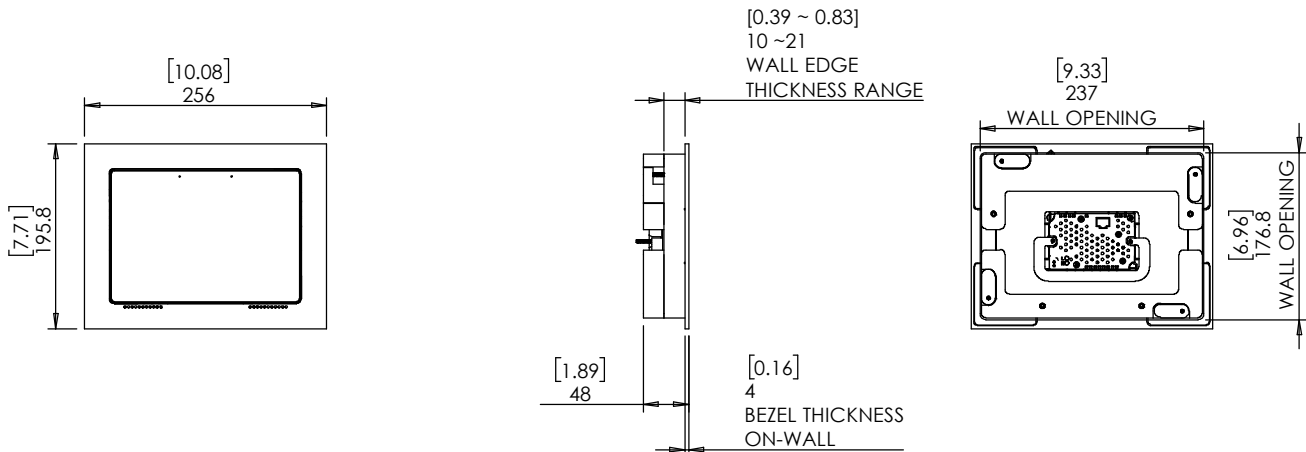
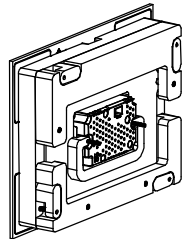
Key properties:

- Dimensions: (W/H/D): 256mm (10.08")/ 195.8mm (7.71")/ 48mm (1.89")
- Weight: 0.8Kg, 1.76lbs.
- Material: Moisture resistant MDF



BACK BOX NOT REQUIRED

THIS WALL MOUNT DESIGNED FOR POE POWER ONLY!





Model: WS RF FOR C4 T4 8
BLACK/WHITE/UNPAINTED

Family: WALL-SMART

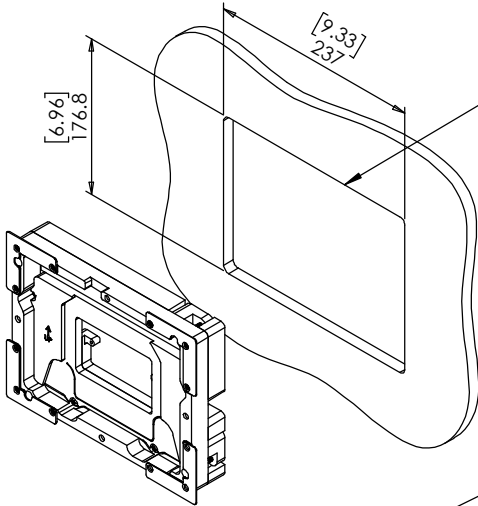
DWG NO. 007-4-847-SPC

Model No.: 007-1-847-BL/-WH/-WO

PRODUCT SPEC.

REVISION B

DATE 08/MAR/2022



1. CUT OPENING - BOARD THICKNESS 10mm [0.39"] UP TO 21mm [0.83"] (FOR BOARDS UP TO 32mm [1.25"] THICK, REINSTALL CAM LATCHES UPSIDE DOWN.

2. ROUTE NECESSARY CABLES

3. INSERT WALL MOUNT BASE

4. GENTLY SCREW CLOCKWISE 4 RETENTION SCREWS UNTIL CAM LATCHES RETAIN THE UNIT

5. SCREW C4 - T4IW8-POE BACK UNIT

6. INSERT SCREEN:
HANG SCREEN ON BACK UNIT TOOTH AND DROP IN TO PLACE

7. ATTACH BEZEL (MAGNETICALLY)

REMOVE SCREEN:
PULL BOTTOM PART OF SCREEN AND LIFT FROM TOOTH