



Model: WS NC FOR BASALTE RECEPTACLE ACCESSORY 1GANG

Family: WALL-SMART

DWG NO. 003-4-584-SPC



Model No.: 003-1-584

PRODUCT SPEC.

REVISION A

DATE 15/DEC./2019

Make Your Wall Smart

WS NC For Basalte Socket 1 Gang satin white - Product description:

The "WS NC FOR BASALTE RECEPTACLE ACCESSORY 1GANG" is an adapter for in-wall flush installation of a Basalte 1 gang US receptacle accessory faceplate.

The "WS NC FOR BASALTE RECEPTACLE ACCESSORY 1GANG" firmly mounts the faceplate while allowing easy access, insertion and removal.

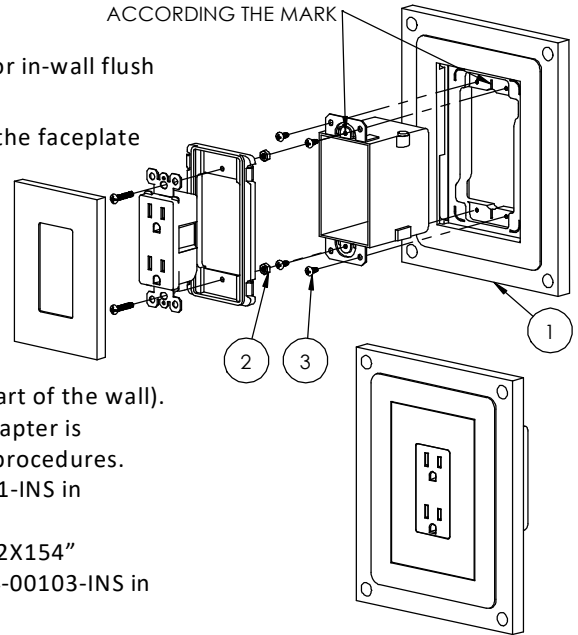
Key features and benefits:

- Flush with the wall.
- Paintable with the wall paint in any color and texture.
- Allows easy insertion and removal.
- The adapter is supplied unpainted (To be painted after installation as part of the wall).
- Designed to be installed in 1/2" drywall. Installation of the Wall-Smart adapter is straight-forward. Installation process is similar to drywall construction procedures. Before installation, read Wall-Smart installation instruction 10-04-00101-INS in <http://www.wall-smart.com/faq>
- For installation in concrete/block wall use "WS CONCRETE ADAPTER 192X154" P/N 100-1-589 (sold separately) according installation instruction 10-04-00103-INS in <http://www.wall-smart.com/faq>
- Designed for Basalte 1gang US faceplate (faceplate, socket and back box are not included).
- Adapter kit contains:
 1. X1 Wall adapter
 2. X2 Spacer nuts
 3. X4 Screws

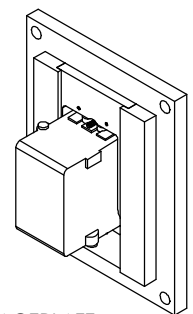
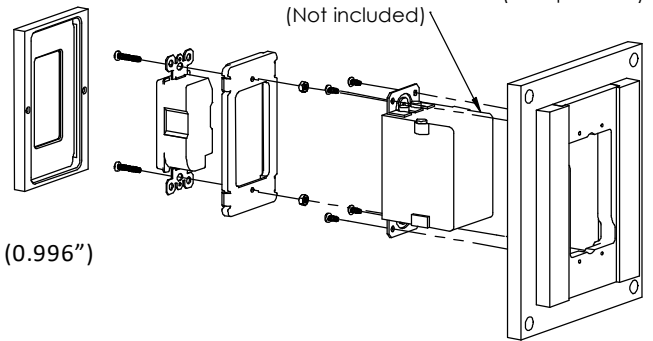
Key properties:

- Dimensions (W/H/D): 152.4mm (6")/ 190.5mm (7.5")/ 25.3mm (0.996")
- Power Supply: None (manual adapter).
- Weight: 0.19Kg, 0.42lbs.
- Material: Chemically treated, Moisture resistant MDF
- To be installed in 1/2" drywall (for installation in 5/8" drywall use 1/8" shim pack P/N 10-01-067 (sold separately)).

CENTER BACK BOX ACCORDING THE MARK



One-gang Hubbell-Raco 420 Box (or equivalent) (Not included)



TO OPEN THE FACEPLATE INSERT AND PUSH A THIN PLASTIC CARD INTO THE VERTICAL GAP ON THE BOTTOM RIGHT OR ON THE TOP LEFT CORNERS

