



Model: WS RETROFIT FOR IPAD PRO 11 3&4  
BLACK / WHITE / UNPAINTED

Family: WALL-SMART

DWG NO. 002-4-838-SPC



Model No.: 002-1-838-BL/-WH/-WO

PRODUCT SPEC.

REVISION C

DATE 30/OCT./2022

## Make Your Wall Smart

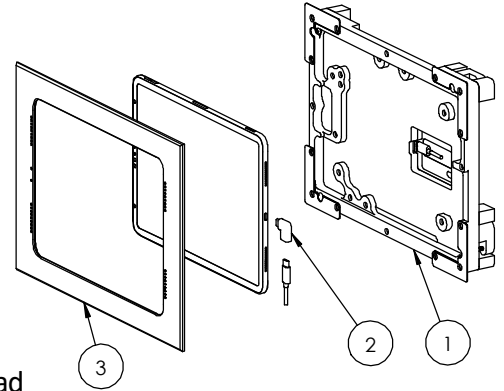
### “WS RETROFIT FOR IPAD PRO 11 3&4” - Product description:

The “WS RETROFIT FOR IPAD PRO 11 3&4” is an adapter for in-wall nearly flush retrofit installation of iPad Pro 11 3<sup>rd</sup> & 4<sup>th</sup> GEN”.

The “WS RETROFIT FOR IPAD PRO 11 3&4” firmly mounts the iPad while allowing easy insertion, removal and operation.

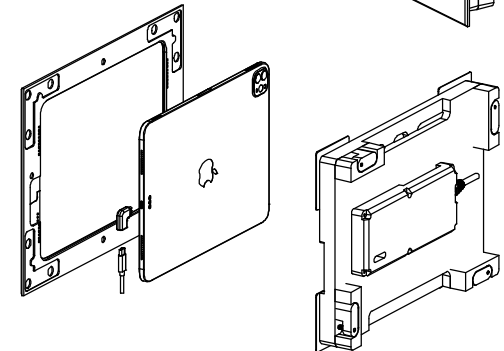
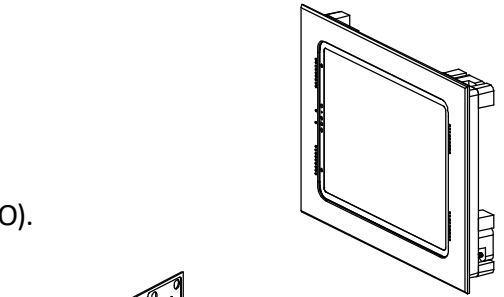
### Key features and benefits:

- Nearly flush with the wall (4mm [0.16”] thick on-wall bezel).
- Wall mount may be mounted in any orientation.
- Designed for the use with iPad Pro 11 2<sup>nd</sup> & 3<sup>rd</sup> & 4<sup>th</sup> GEN (by Apple) (iPad is not included).
- Adapter kit contains:
  1. (X1) Wall adapter;
  2. (X1) Bezel;
  3. (X1) USB-C / USB-C 90deg adaptor;
- The bezel is supplied painted black (-BL), white (-WH) or unpainted (-WO).

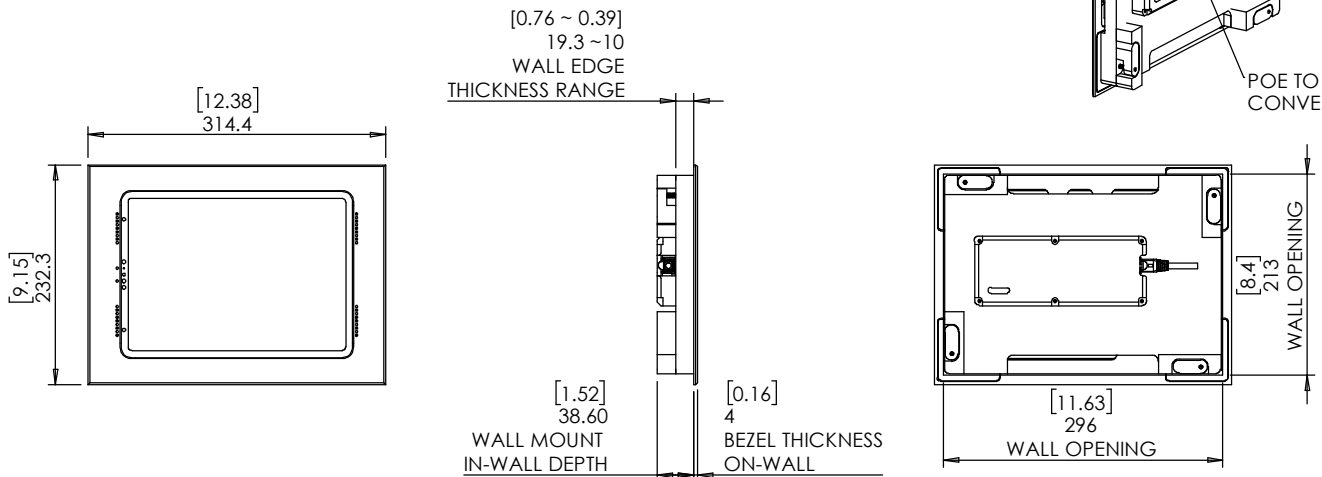
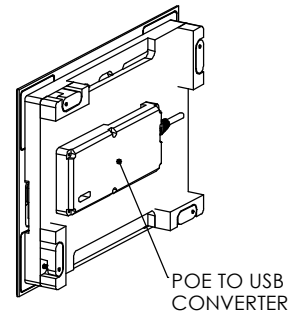


### Key properties:

- Dimensions: (W/H/D): 314.4mm (12.38”)/ 232.3mm (9.15”)/ 42.6mm (1.68”)
- Power Supply: Wall mount includes POE to USB-C converter. The installer should connect the wall mount to an IEEE 802.3at POE+ power source via CAT6 cable and RJ45 connector. (Please verify the POE+ power source can supply 25.5W)
- Weight: 2.3Kg, 5.06lbs.
- Material: Moisture resistant MDF (compliant with TSCA Title VI)



iPad® is a trademark of Apple Inc., registered in the U.S. and other countries.





Model: WS RETROFIT FOR IPAD PRO 11 3&4  
BLACK / WHITE / UNPAINTED

Family: WALL-SMART

DWG NO. 002-4-838-SPC



Model No.: 002-1-838-BL/-WH/-WO

PRODUCT SPEC.

REVISION C

DATE 30/OCT./2022

