



Model: WS RETROFIT FOR IPAD7 AND AIR3
BLACK / WHITE / UNPAINTED

Model No.: 002-1-616-BL / -WH / -WO

Family: WALL-SMART

DWG NO. 002-4-616-SPC

PRODUCT SPEC.

REVISION A

DATE 1/DEC./2019



Make Your Wall Smart

“WS RETROFIT FOR IPAD7 AND AIR3” - Product description:

The “WS RETROFIT FOR IPAD7 AND AIR3” is an adapter for in-wall nearly flush retrofit installation of iPad 7 or iPad Air 3rd gen.
The “WS RETROFIT FOR IPAD7 AND AIR3” firmly mounts the iPad while allowing easy insertion, removal and operation.

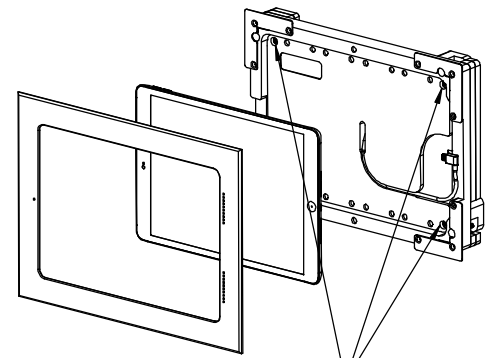
Key features and benefits:

- Nearly flush with the wall (4mm [0.16"] thick on-wall bezel).
- Wall mount may be mounted in any orientation.
- Wall mount contains depth calibration screws.
- Designed for the use with iPad Air 3rd gen and iPad 7 (by Apple) (iPad is not included).
- Adapter kit contains:
 1. (X1) Wall adapter;
 2. (X4) Wall-Smart rubber pads;
 3. (X1) Wall-Smart Pad Positioning Template;
 4. (X1) Bezel;
- The bezel is supplied painted black (-BL), white (-WH) or unpainted (-WO).

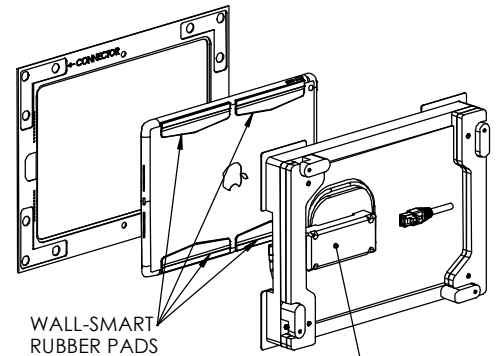
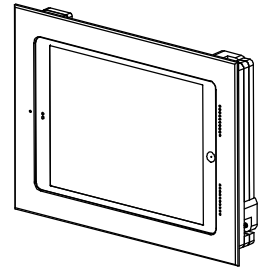
Key properties:

- Dimensions: (W/H/D): 304.4mm (11.98")/ 227.9mm (8.97")/ 48mm (1.19")
- Power Supply: Wall mount includes POE to USB converter. The installer should connect the wall mount to an IEEE 802.3at POE+ power source via CAT6 cable and RJ45 connector. (Please verify the power source can supply 25.5W)
- Weight: 1.8Kg, 3.96lbs.
- Material: Moisture resistant MDF (compliant with TSCA Title VI)

iPad® is a trademark of Apple Inc., registered in the U.S. and other countries.

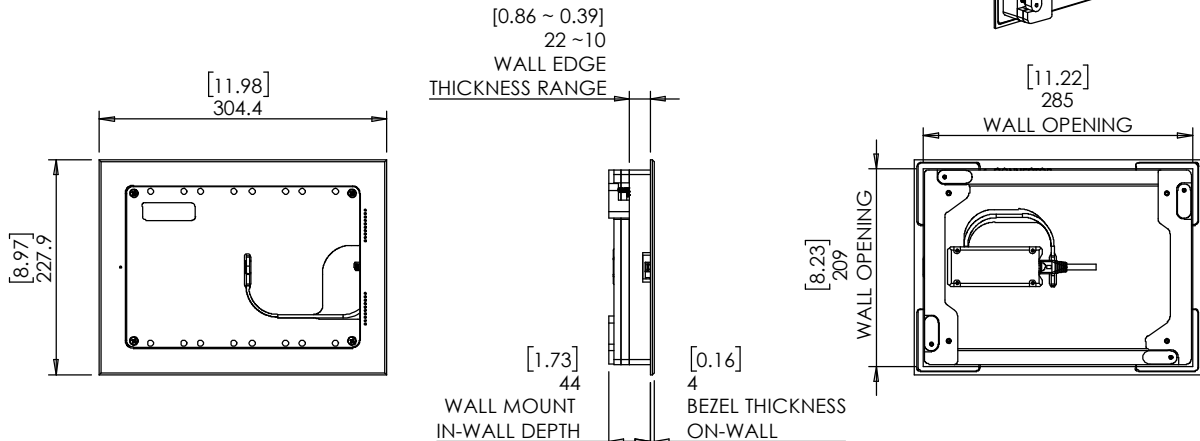
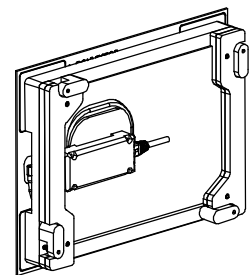


USE DEPTH CALIBRATION SCREWS TO ADJUST iPad POSITION



WALL-SMART RUBBER PADS

POE TO USB CONVERTER





Model: WS RETROFIT FOR IPAD7 AND AIR3
BLACK / WHITE / UNPAINTED

Family: WALL-SMART

DWG NO. 002-4-616-SPC

Model No.: 002-1-616-BL / -WH / -WO

PRODUCT SPEC.

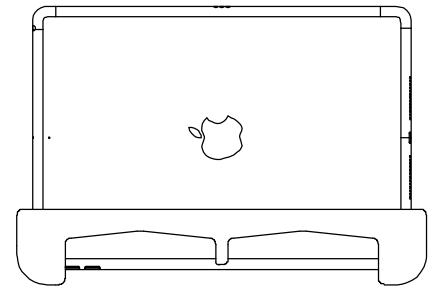
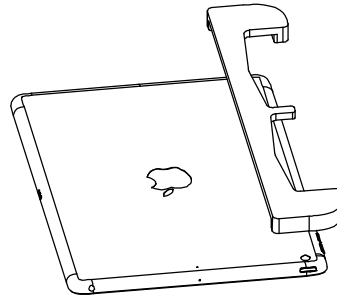
REVISION A

DATE 1/DEC./2019

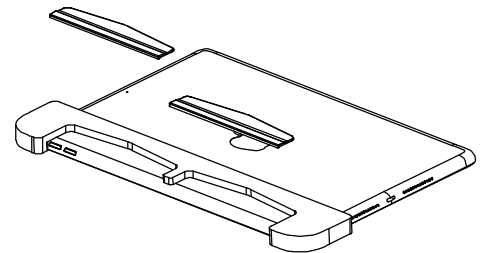


Wall-Smart rubber pads installation:

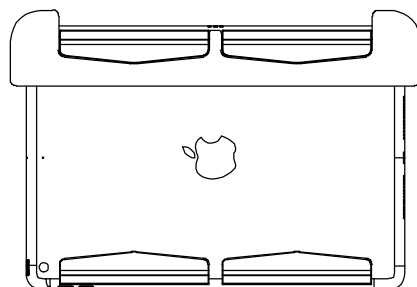
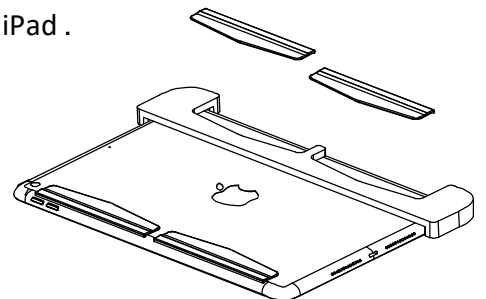
1. Clean iPads back surface.
2. Position template.



3. Remove protective tape of a rubber pad back adhesive.
4. Align rubber pad to templates while maintaining the position of the template.
5. Adhere the rubber pads to the iPad gradually from template to the iPad edge.



6. Press down from the center of the rubber pad and towards the pad edges to remove air bubbles.
7. Push down the edges of the rubber pad to close all gaps.
8. Repeat steps 2-7 for the two rubber pads on the other side of the iPad.
9. Remove the template and wait 6mins before mounting.





Model: WS RETROFIT FOR IPAD7 AND AIR3
BLACK / WHITE / UNPAINTED

Family: WALL-SMART

DWG NO. 002-4-616-SPC



Model No.: 002-1-616-BL / -WH / -WO

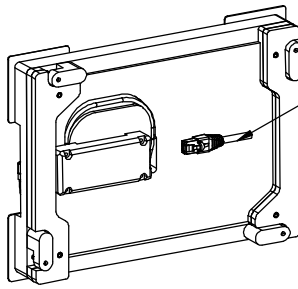
PRODUCT SPEC.

REVISION A

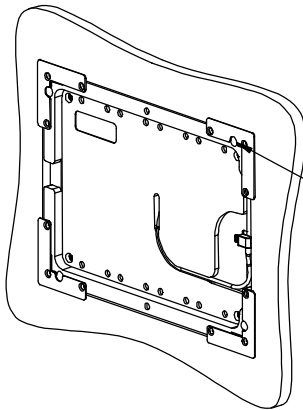
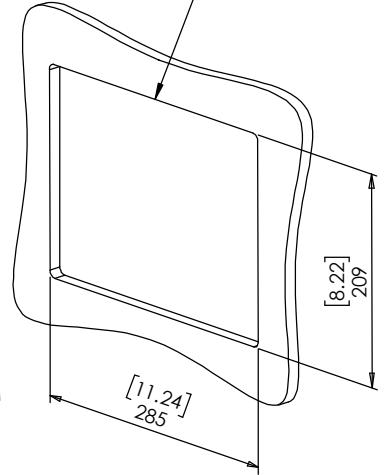
DATE 1/DEC./2019

Board thickness 10mm[0.39"] up to 21mm[0.83"].
For boards up to 32mm[1.25"] thick, reinstall cam latches upside down

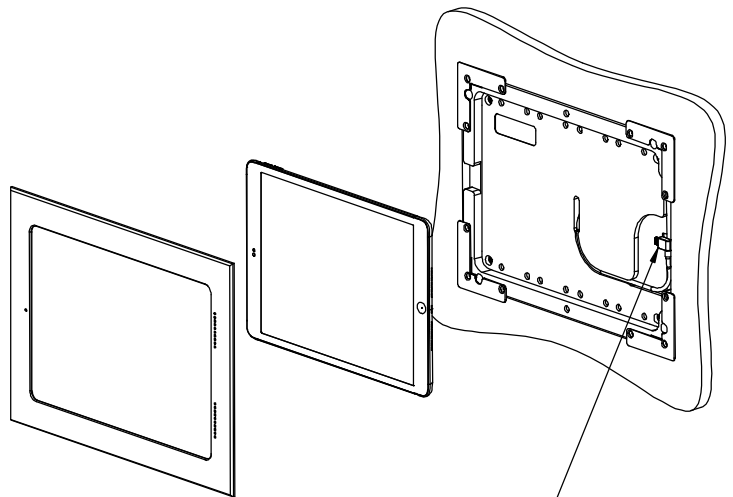
Before installation of the wall mount, connect a 48V IEEE 802.3at POE+ power source via a CAT5/6 cable and RJ45 connector to the POE to USB converter.



Cut opening



Insert wall mount and gently screw clockwise 4 retention screws until the cam latches retain the unit.



Connect lightning connector to the iPad

