



Model: WS SB FOR IPAD7 AND AIR3

Model No.: 002-1-615

Family: WALL-SMART

DWG NO. 002-4-615-SPC

PRODUCT SPEC.

REVISION A

DATE 17/FEB/2020



**Make Your Wall Smart**

**"WS SB FOR IPAD7 AND AIR3" - Product description:**

The "WS SB FOR IPAD7 AND AIR3" is an adapter for in-wall flush installation of iPad7 and iPad AIR3 in solid Board walls.

The "WS SB FOR IPAD7 AND AIR3" firmly mounts the iPad while allowing easy insertion, removal and operation.

**Key features and benefits:**

- Flush with the solid surface wall.
- Wall mount may be mounted in any orientation.
- The iPad home button remains accessible.
- Allows easy insertion and removal of the iPad.
- Wall mount contains depth calibration screws and spacer allowing installation in solid surface boards of 6.6 [0.25"] up to 33.7 [1.32"] thickness.
- See page 2 for routing dimensions.
- Designed for the use with iPad 7 OR iPad AIR 3 (by Apple) (iPad is not included).
- Adapter kit contains:
  1. (X1) Wall adapter (item #1)
  2. (X4) Wall-Smart rubber pads (item #2)
  3. (X1) Pads Positioning Template (item #3)
  4. (X1) Spacer (item #4)
  5. (X4) ST3x30 screws (item #5)

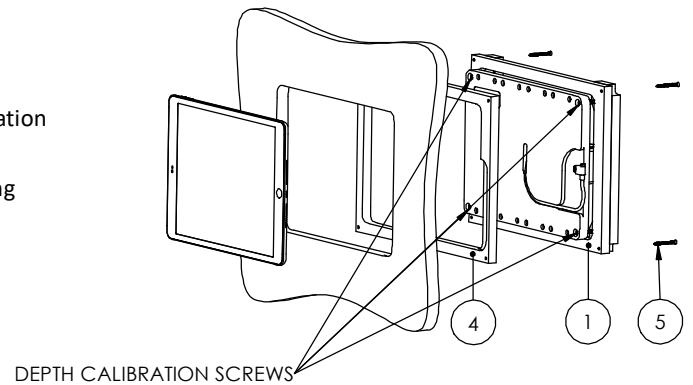
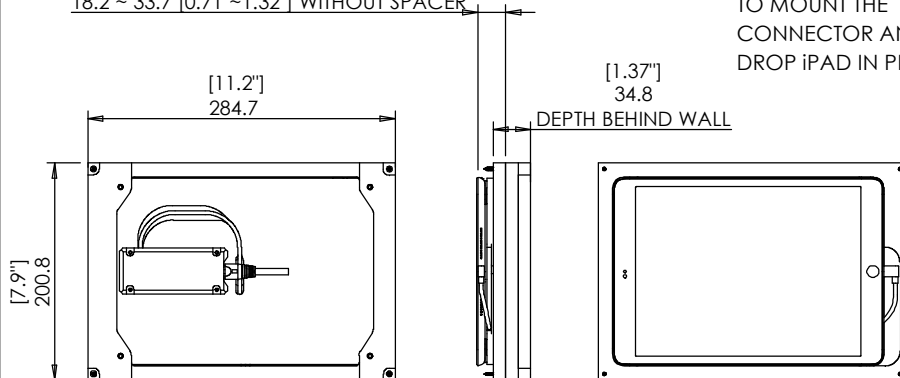
**Key properties:**

- Dimensions: (W/H/D): 284.6mm (11.2")/ 200.8mm (7.9")/ 40.5mm (1.59")
- Power Supply: Wall mount includes POE to USB converter. The installer should connect the wall mount to an IEEE 802.3at POE+ power source via CAT6 cable and RJ45 connector. (Please verify the power source can supply up to 25.5W)
- Weight: 1.1Kg, 2.42lbs.
- Material: Moisture resistant MDF (compliant with TSCA Title VI)

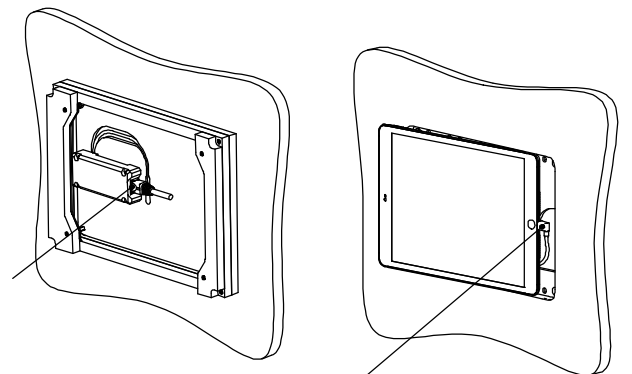
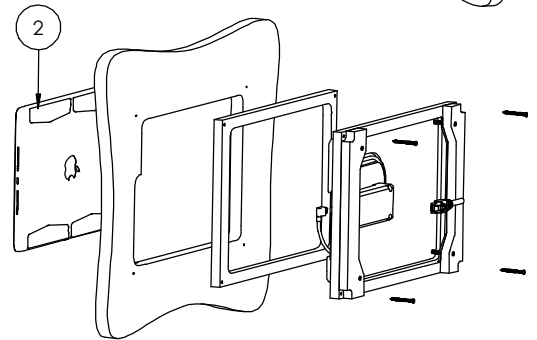
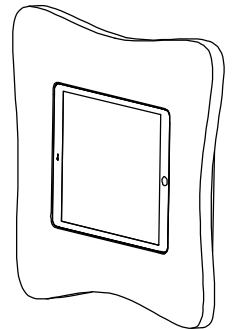
iPad® is a trademark of Apple Inc., registered in the U.S. and other countries.

POE to USB converter.  
connect a 48V IEEE 802.3af POE power source via a CAT5/6 cable and RJ45 connector

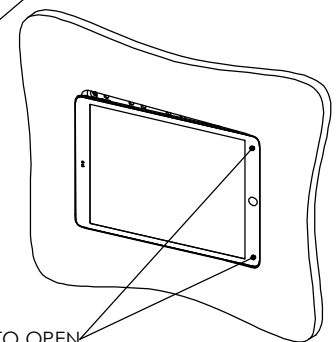
SOLID BOARD THICKNESS RANGE:  
6.6 ~ 22.1 [0.25"~0.87"] WITH SPACER  
18.2 ~ 33.7 [0.71"~1.32"] WITHOUT SPACER



DEPTH CALIBRATION SCREWS



TO MOUNT THE iPad INSERT USB CONNECTOR AND MAGNETICALLY DROP iPad IN PLACE



PUSH TO OPEN

[0.3]  
7.64

[0.409]  
R10.4 TYP



Model: WS SB FOR IPAD7 AND AIR3

Family: WALL-SMART

DWG NO. 002-4-615-SPC



Model No.: 002-1-615

PRODUCT SPEC.

REVISION: A  
DATE: 17/FEB/2020

### CUTOUT ROUTING TEMPLATE

VIEW FROM INNER SIDE OF  
SOLID BOARD

SCALE 1:1

CONTACT WALL-SMART FOR DXF FILE

[9.897 +0.012  
-0.008]  
+0.30  
251.39 -0.20  
ROUTE THRU

[6.885 +0.012  
-0.008]  
+0.30  
174.88 -0.20  
ROUTE THRU

[10.77]  
273.66

[4.33]  
110

by Wall-Smart Ltd.  
www.wall-smart.com

UNLESS OTHERWISE SPECIFIED:  
DIMENSIONS ARE IN MILLIMETERS

INFORMATION CONTAINED HEREIN IS PROPRIETARY AND MAY NOT BE USED,  
REPRODUCED OR COPIED WITHOUT WRITTEN CONSENT OF WALL-SMART

SHEET 2/3

[1.73]  
44

ROUTE TO DEPTH 1.2mm  
OFF FRONT SURFACE

[0.59]  
15

ROUTE TO DEPTH 3mm  
OFF FRONT SURFACE

[0.29]  
7.48

[7.47]  
189.84



Model: WS SB FOR IPAD7 AND AIR3

Model No.: 002-1-615

Family: WALL-SMART

DWG NO. 002-4-615-SPC

PRODUCT SPEC.

REVISION A

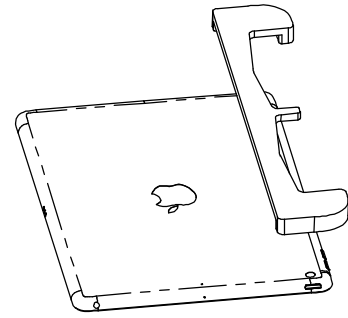
DATE 17/FEB/2020



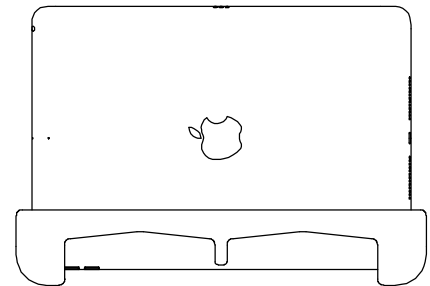
Wall-Smart rubber pads installation:

1. Clean iPads back surface.

2. Position template.

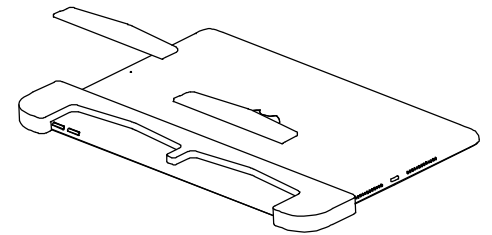


3. Remove protective tape of a rubber pad back adhesive.



4. Align rubber pad to template while maintaining the position of the template .

5. Adhere the rubber pad to the iPad gradually from template to the iPad edge .



6. Press down from the center of the rubber pad and towards the pad edges to remove air bubbles .

7. Push down the edges of the rubber pad to close all gaps .

8. Repeat steps 2-7 on the other side of the iPad .

9. Remove the template and wait 6 mins before mounting.

